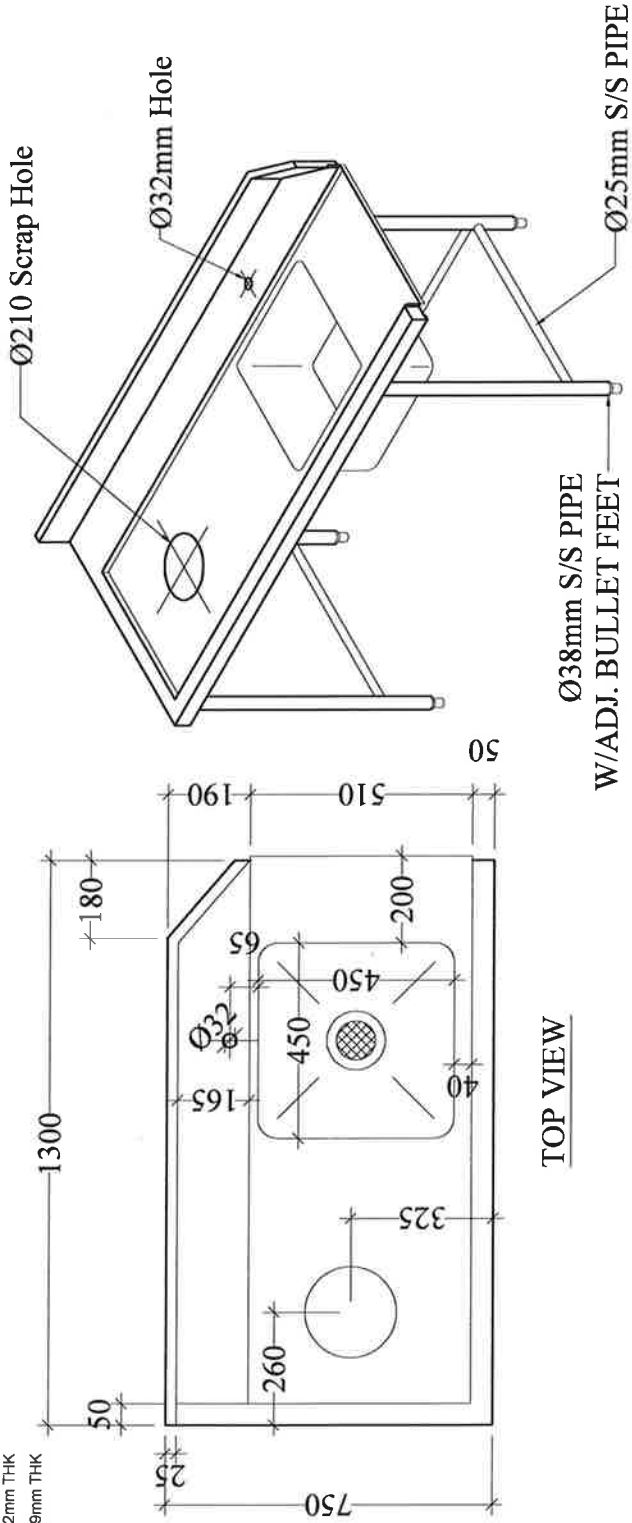


ALL DIMENSIONS SUBJECT TO VERIFICATION ON SITE BEFORE WORK COMMENCEMENT.

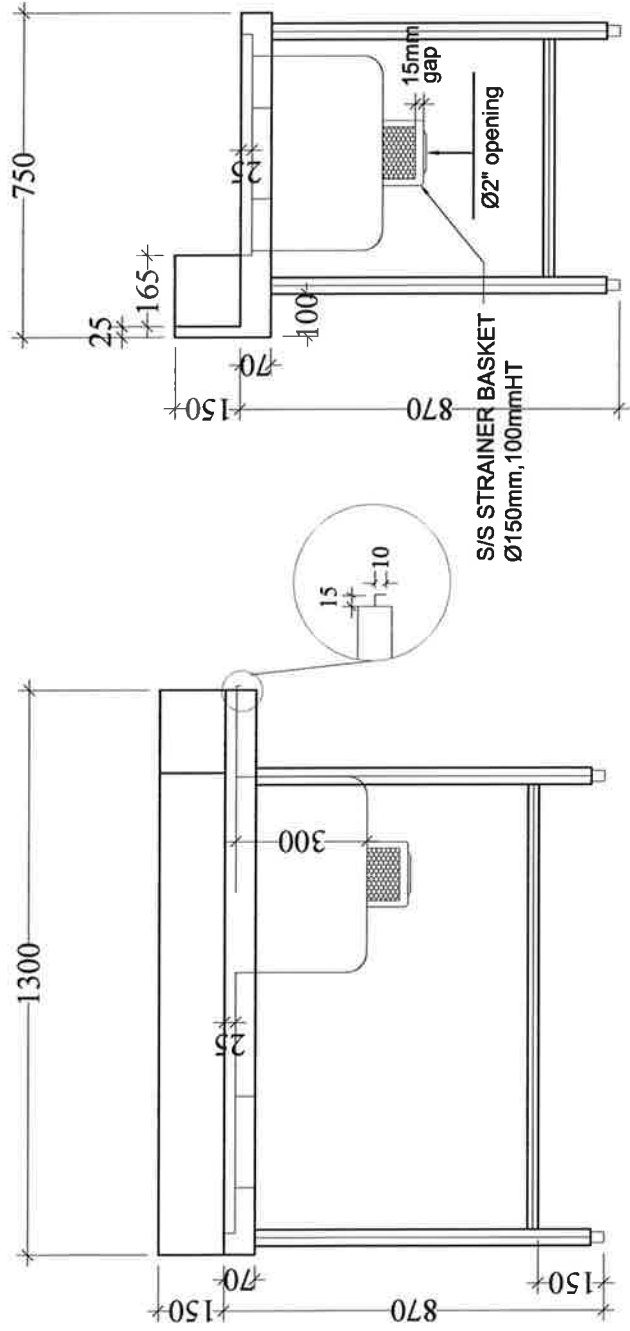
- Top : 1.5mm THK
- Intermediate : 1.2mm THK
- Undershelf : 1.2mm THK
- Body : 0.9mm THK



TOP VIEW

ISO VIEW

Ø38mm S/S PIPE
W/ADJ. BULLET FEET



FRONT VIEW

SIDE VIEW

S/S STRAINER BASKET
Ø150mm, 100mmHT

Quality Policy :
Customer satisfaction...every time !

Quality Objective:
Consistency, Efficiency,
Reliability
Make it RIGHT first time.

PROJECT:
LE CUISINE

TITLE:
**S/S SOILED DISH TABLE
W/SCRAP HOLE**

DRAWN BY: MARY
SCALE: N.T.S.
DATE: 23/12/2013
DELIVERY DATE:

ITEM NO: DW01
QTY: 01
PROJECT CHECKED: SALES CHECKED:
CLIENT ACKNOWLEDGEMENT: ROYSTON

DRAWING NO: Q/2013/LC/ITEM
REV: A

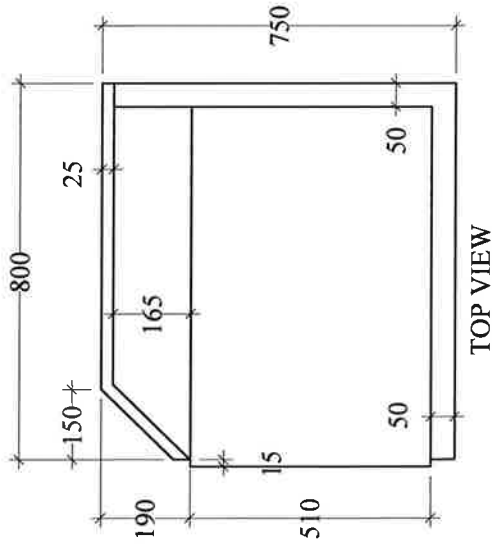
FABRICATION NO:



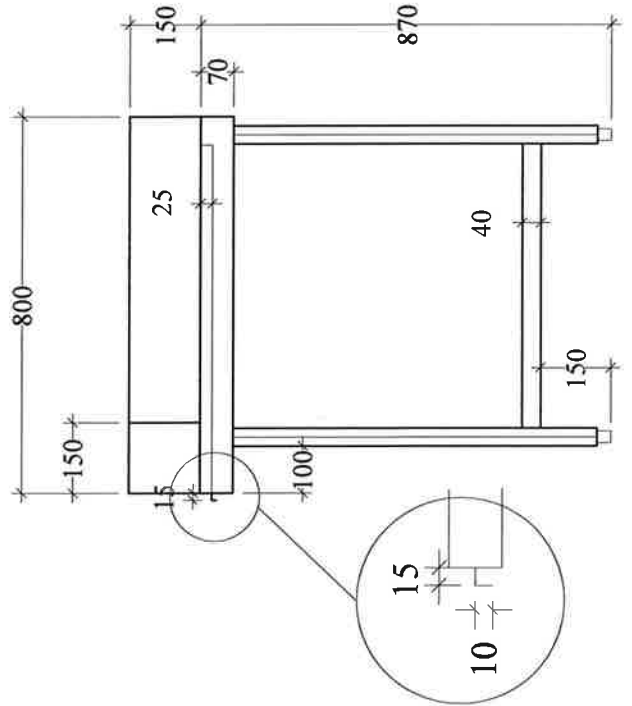
Singapore Kitchen Equipment Ltd
wholly owned subsidiary of
Singapore Kitchen Equipment Ltd
Blk 115A Commonwealth Drive
#01-27/28 Singapore 149596
Tel: 6472 7337 Fax: 6472 6497
Website : www.qson.com.sg

ALL DIMENSIONS SUBJECT TO VERIFICATION ON SITE BEFORE WORK COMMENCEMENT.

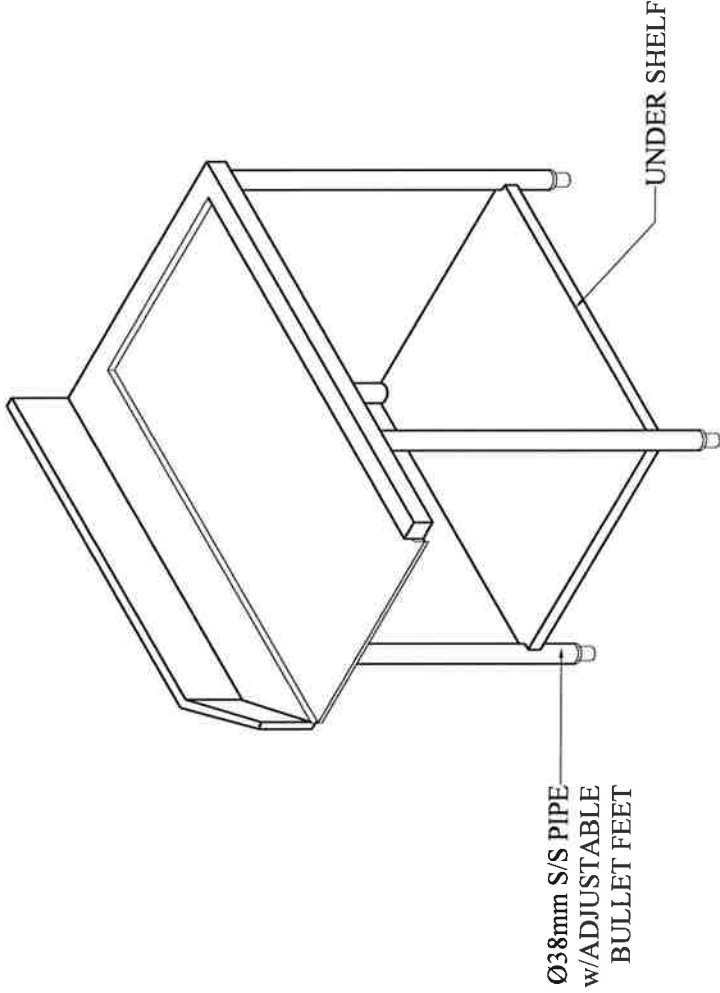
- Top : 1.5mm THK
- Intermediate : 1.2mm THK
- Undershelf : 1.2mm THK
- Body : 0.9mm THK



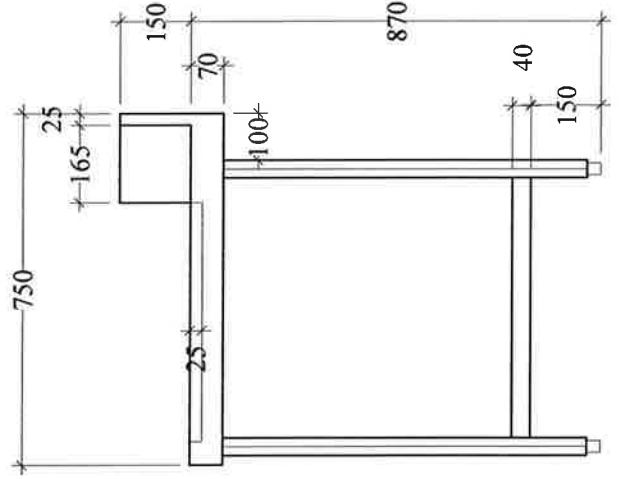
TOP VIEW



FRONT VIEW



ISO VIEW



SIDE VIEW

Quality Policy :
Customer satisfaction...every time !

Quality Objective:
Consistency, Efficiency,
Reliability
Make it RIGHT first time.

PROJECT:
LE CUISINE

TITLE:
**S/S CLEAN DISH TABLE
W/UNDER SHELF**

DRAWN BY:	SCALE:	DATE:
MARY	N.T.S.	23/12/2013
DELIVERY DATE:		

ITEM NO.:	QTY:
DW04	01
PROJECT CHECKED:	SALES CHECKED:
	ROYSTON

CLIENT ACKNOWLEDGEMENT:

DRAWING NO. :
Q/2013/LC/ITEM

FABRICATION NO.:

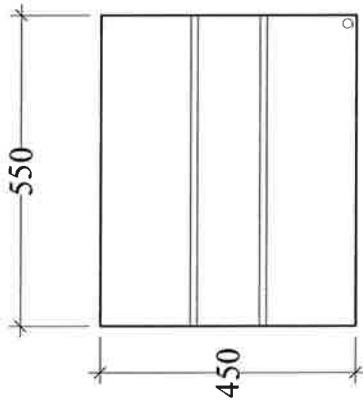


wholly owned subsidiary of
Singapore Kitchen Equipment Ltd

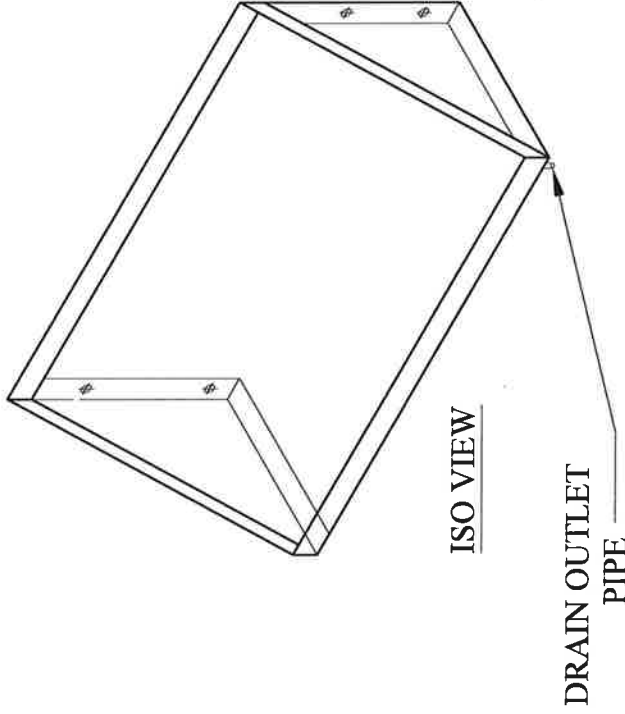
Singapore Kitchen Equipment Ltd
Blk 115A Commonwealth Drive
#01-27/28 Singapore 149596
Tel: 6472 7337 Fax: 6472 6497
Website : www.qson.com.sg

ALL DIMENSIONS SUBJECT TO VERIFICATION ON SITE BEFORE WORK COMMENCEMENT.

- Top : 1.5mm THK
- Intermediate : 1.2mm THK
- Undersheif : 1.2mm THK
- Body : 0.9mm THK

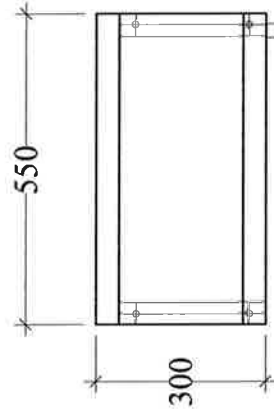


TOP VIEW



DRAIN OUTLET PIPE

DRAIN OUTLET PIPE



FRONT VIEW

SIDE VIEW

Quality Policy:
Customer satisfaction...every time !

Quality Objective:
Consistency, Efficiency, Reliability
Make it RIGHT first time.

PROJECT:
LE CUISINE

TITLE:
S/S BASKET DISH RACK

DRAWN BY:	SCALE:	DATE:
MARY	N.T.S.	23/12/2013
DELIVERY DATE:		

ITEM NO.:	QTY:
DW05	01
PROJECT CHECKED:	SALES CHECKED:
-	ROYSTON
CLIENT ACKNOWLEDGEMENT:	

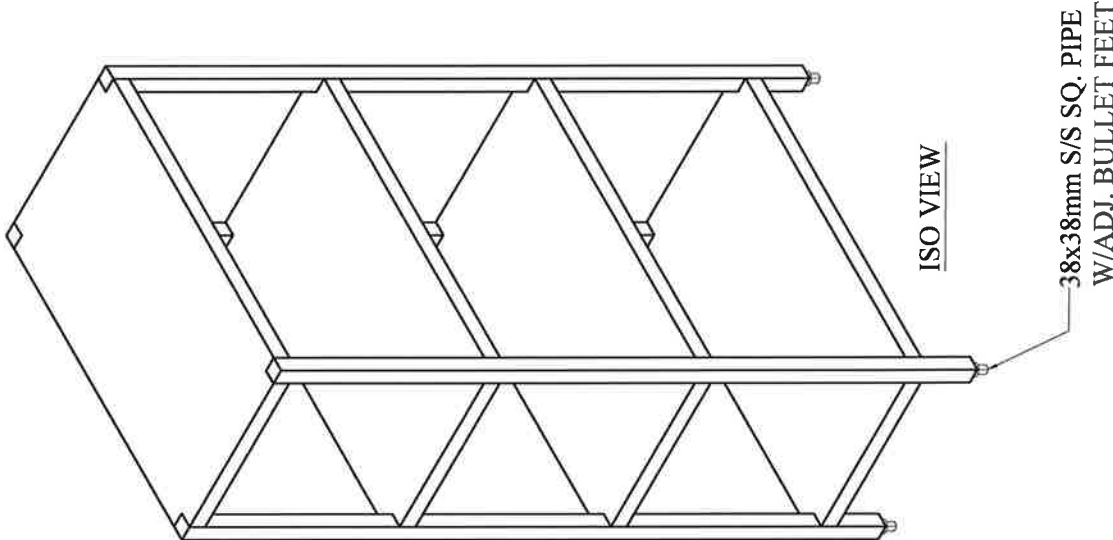
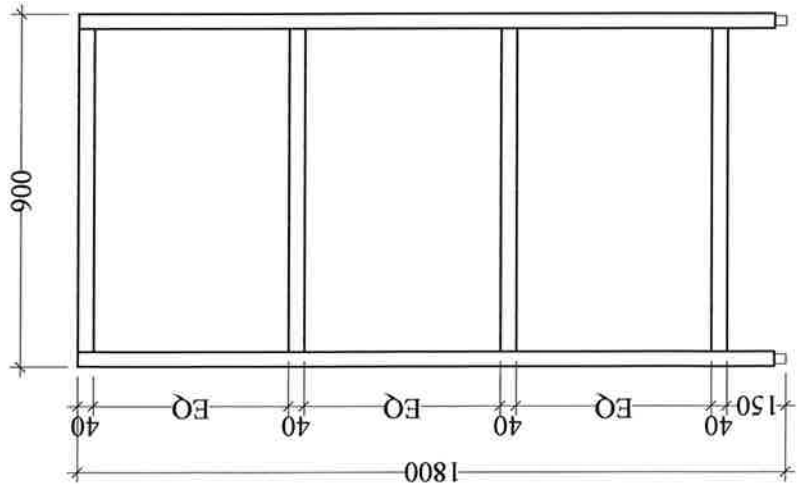
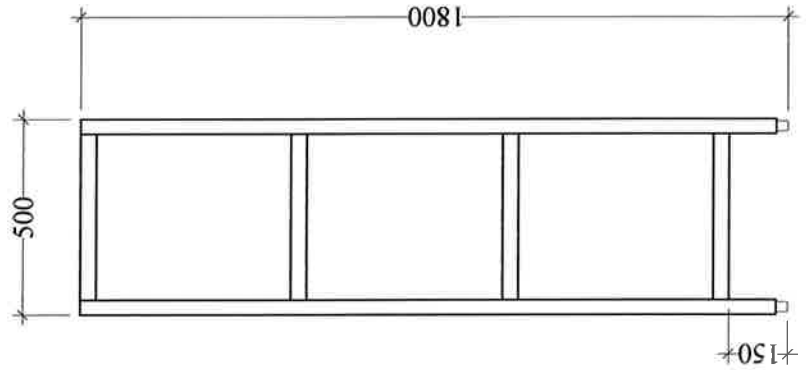
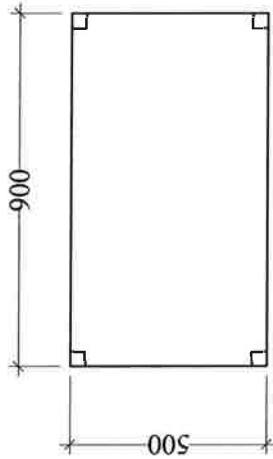
DRAWING NO.:	REV.:
Q/2013/LC/ITEM	A
FABRICATION NO.:	



Singapore Kitchen Equipment Ltd
 Blk 115A Commonwealth Drive
 #01-27/28 Singapore 149596
 Tel: 6472 7337 Fax: 6472 6497
 Website : www.qson.com.sg

ALL DIMENSIONS SUBJECT TO VERIFICATION ON SITE BEFORE WORK COMMENCEMENT.

- Top : 1.5mm THK
- Intermediate : 1.2mm THK
- Undershelf : 1.2mm THK
- Body : 0.9mm THK



Quality Policy :
Customer satisfaction...every time !

Quality Objective:
Consistency, Efficiency, Reliability
Make it RIGHT first time.

PROJECT:
LE CUISINE

TITLE:
S/S 4-TIER SHELVING

DRAWN BY: MARY
SCALE: N.T.S.
DATE: 23/12/2013
DELIVERY DATE:

ITEM NO.: DW06
QTY: 01
PROJECT CHECKED: SALES CHECKED:
CLIENT ACKNOWLEDGEMENT: ROYSTON

DRAWING NO.: Q/2013/LC/ITEM
REV: A

FABRICATION NO.:

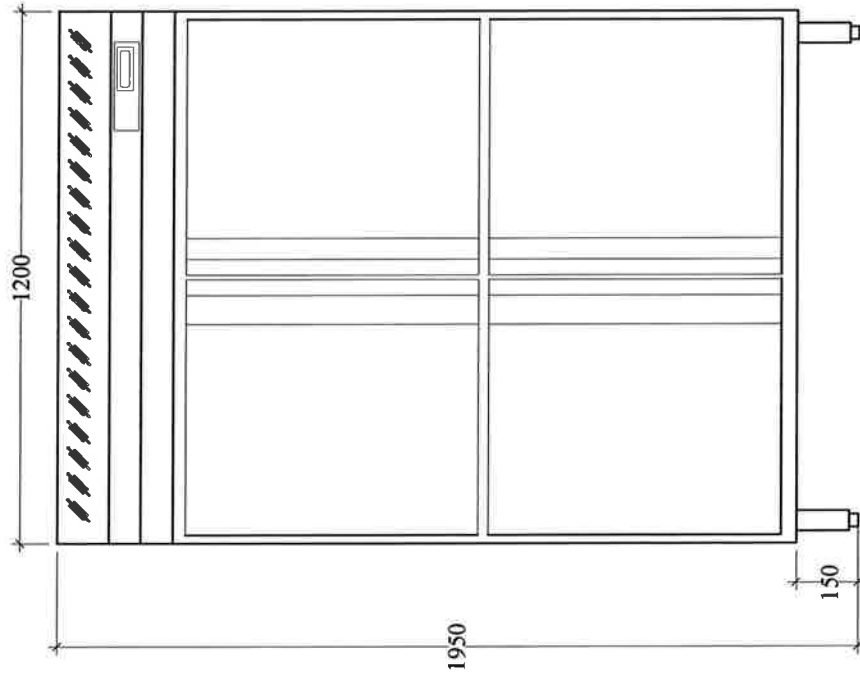


Wholly owned subsidiary of
Singapore Kitchen Equipment Ltd

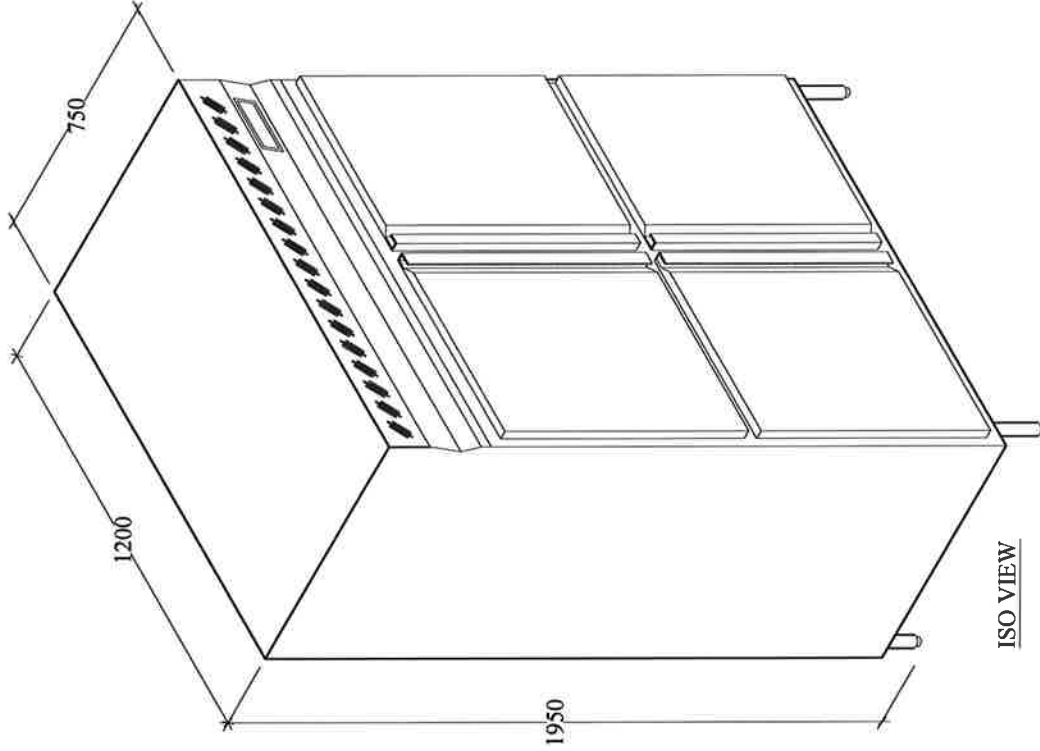
Singapore Kitchen Equipment Ltd
Blk 115A Commonwealth Drive
#01-27/28 Singapore 149596
Tel: 6472 7337 Fax: 6472 6497
Website : www.qson.com.sg

ALL DIMENSIONS SUBJECT TO VERIFICATION ON SITE BEFORE WORK COMMENCEMENT.

- Top : 1.5mm THK
- Intermediate : 1.2mm THK
- Undershelf : 1.2mm THK
- Body : 0.9mm THK



SIDE VIEW



ISO VIEW

Quality Policy :

Customer satisfaction...every time !

Quality Objective:

*Consistency, Efficiency, Reliability
Make it RIGHT first time.*

PROJECT:

LE CUISINE

TITLE:

4 DOOR UPRIGHT FREEZER

DRAWN BY:

MARY

SCALE:

N.T.S.

DATE:

15/01/2014

DELIVERY DATE:

ITEM NO:

DW07

QTY:

02

PROJECT CHECKED:

IP

SALES CHECKED:

ROYSTON

CLIENT ACKNOWLEDGEMENT:

DRAWING NO:

Q/2013/LC/ITEM

REV:

A

FABRICATION NO:



wholly owned subsidiary of
Singapore Kitchen Equipment Ltd

Singapore Kitchen Equipment Ltd

Blk 115A Commonwealth Drive

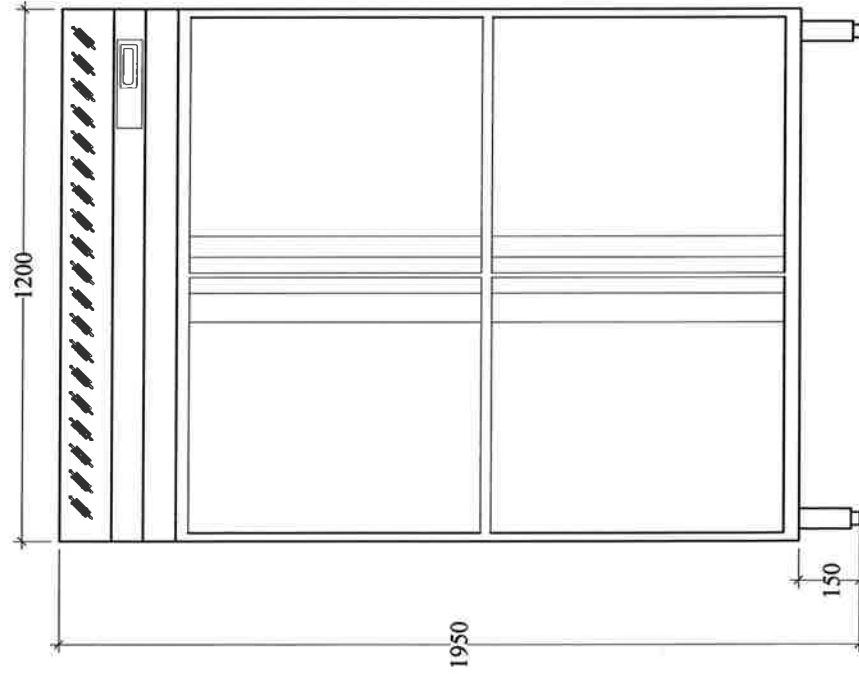
#01-27/28 Singapore 149596

Tel: 6472 7337 Fax: 6472 6497

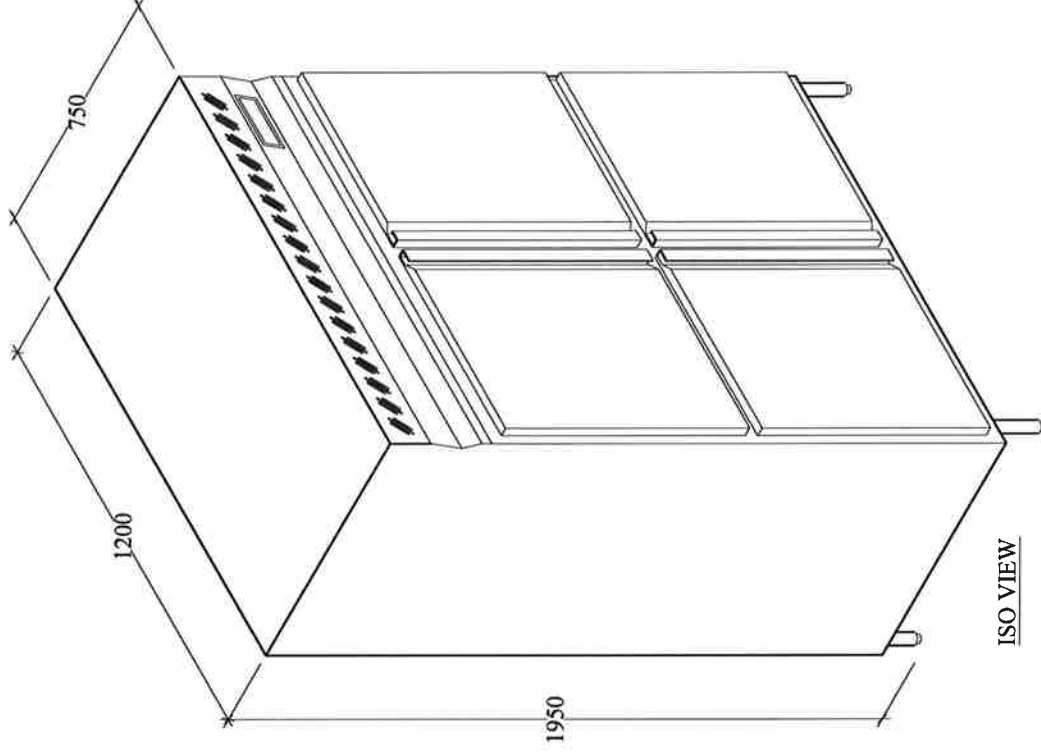
Website : www.qson.com.sg

ALL DIMENSIONS SUBJECT TO VERIFICATION ON SITE BEFORE WORK COMMENCEMENT.

- Top : 1.5mm THK
- Intermediate : 1.2mm THK
- Undershelf : 1.2mm THK
- Body : 0.9mm THK



SIDE VIEW



ISO VIEW

Quality Policy:

Customer satisfaction...every time !

Quality Objective:

*Consistency, Efficiency, Reliability
Make it RIGHT first time.*

PROJECT:

LE CUISINE

TITLE:

4 DOOR UPRIGHT CHILLER

DRAWN BY:

MARY

SCALE:

N.T.S.

DATE:

15/01/2014

DELIVERY DATE:

ITEM NO:

DW08

QTY:

01

PROJECT CHECKED:

IP

SALES CHECKED:

ROYSTON

CLIENT ACKNOWLEDGEMENT:

DRAWING NO:

Q/2013/LC/ITEM

REV:

A

FABRICATION NO:



wholly owned subsidiary of
Singapore Kitchen Equipment Ltd

Singapore Kitchen Equipment Ltd

Blk 115A Commonwealth Drive

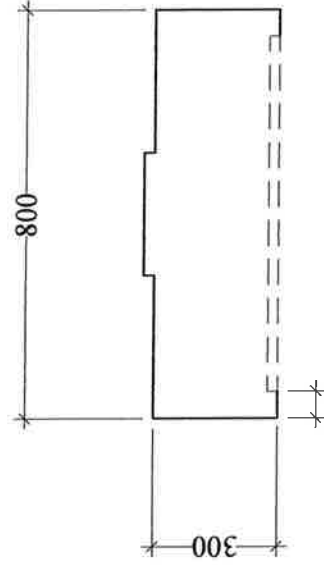
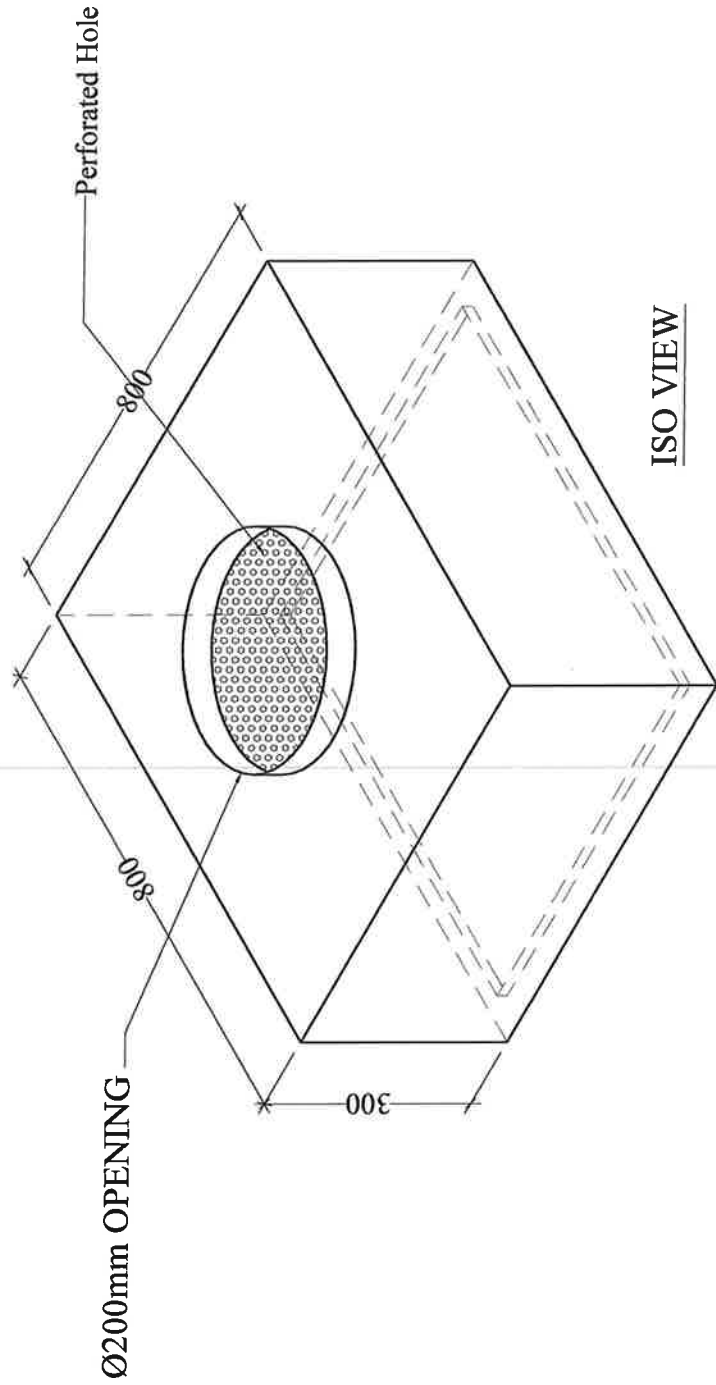
#01-27/28 Singapore 149596

Tel: 6472 7337 Fax: 6472 6497

Website : www.qson.com.sg

ALL DIMENSIONS SUBJECT TO VERIFICATION ON SITE BEFORE WORK COMMENCEMENT.

- Top : 1.5mm THK
- Intermediate : 1.2mm THK
- Undershelf : 1.2mm THK
- Body : 0.9mm THK



Quality Policy :
Customer satisfaction...every time !

Quality Objective:
Consistency, Efficiency, Reliability
Make it RIGHT first time.

PROJECT:
LE CUISINE

TITLE:
S/S CONDENSATE HOOD

DRAWN BY: MARY
SCALE: N.T.S.
DATE: 08/01/2014
DELIVERY DATE:

ITEM NO: DW09
QTY: 01
PROJECT CHECKED:
SALES CHECKED:
CLIENT ACKNOWLEDGEMENT: ROYSTON

DRAWING NO: Q/2013/LC/ITEM
REV: A
FABRICATION NO:

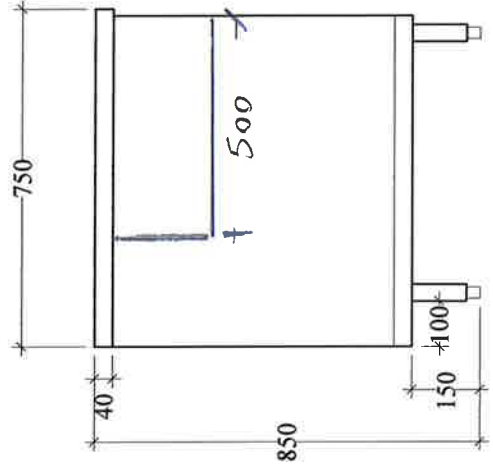
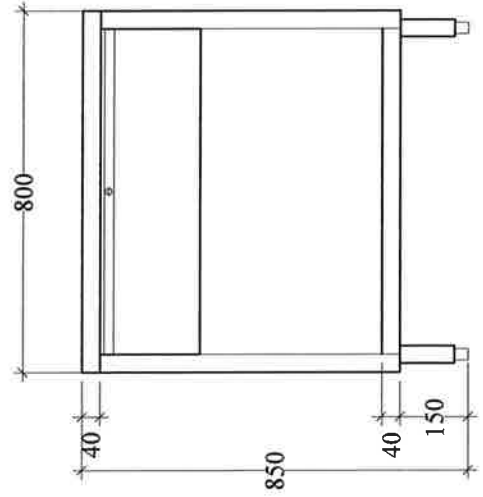
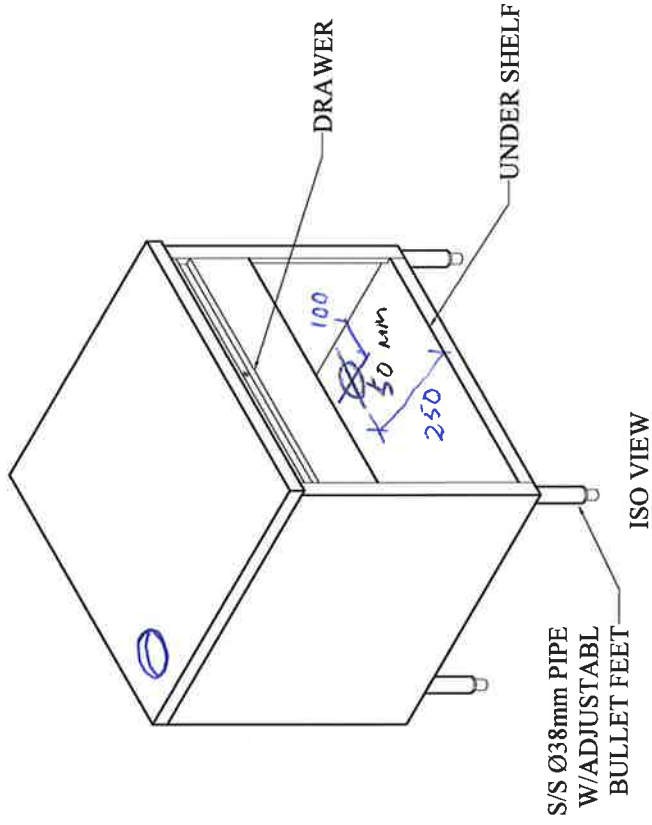
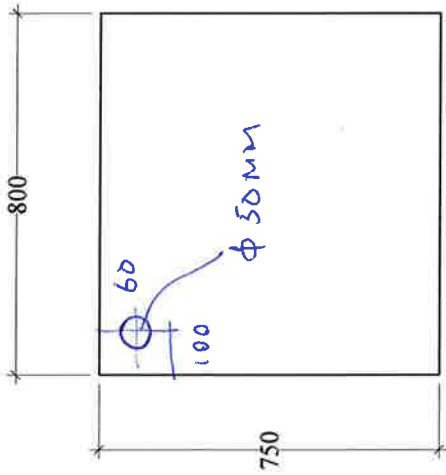


wholly owned subsidiary of
Singapore Kitchen Equipment Ltd

Singapore Kitchen Equipment Ltd
Blk 115A Commonwealth Drive
#01-27/28 Singapore 149596
Tel: 6472 7337 Fax: 6472 6497
Website : www.qson.com.sg

ALL DIMENSIONS SUBJECT TO VERIFICATION ON SITE BEFORE WORK COMMENCEMENT

- Top : 1.5mm THK
- Intermediate : 1.2mm THK
- Undershelf : 1.2mm THK
- Body : 0.9mm THK



Quality Policy:
Customer satisfaction...every time !

Quality Objective:
Consistency, Efficiency, Reliability
Make it RIGHT first time.

PROJECT:
LE CUISINE

TITLE:
S/S CAHIER COUNTER W/DRAWER

DRAWN BY:
MARY

SCALE:
N.T.S.

DATE:
23/12/2013

ITEM NO:
KT01

QTY:
01

PROJECT CHECKED:
SALES CHECKED:

CLIENT ACKNOWLEDGEMENT:
ROYSTON

DRAWING NO:
Q/2013/LC/ITEM

REV:
A

FABRICATION NO:



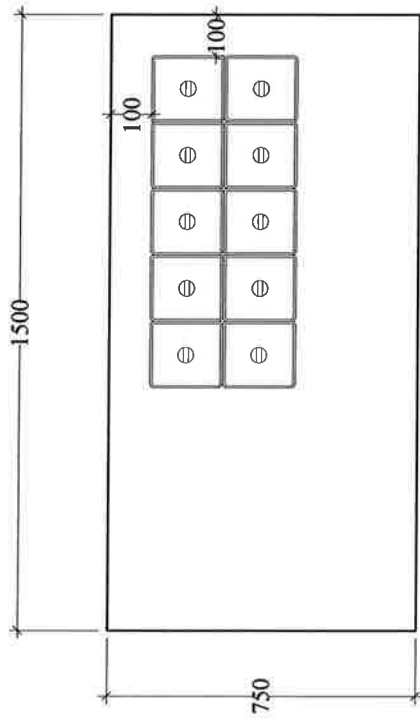
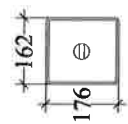
wholly owned subsidiary of
Singapore Kitchen Equipment Ltd

Singapore Kitchen Equipment Ltd
Blk 115A Commonwealth Drive
#01-27/28 Singapore 149596
Tel: 6472 7337 Fax: 6472 6497
Website : www.qson.com.sg

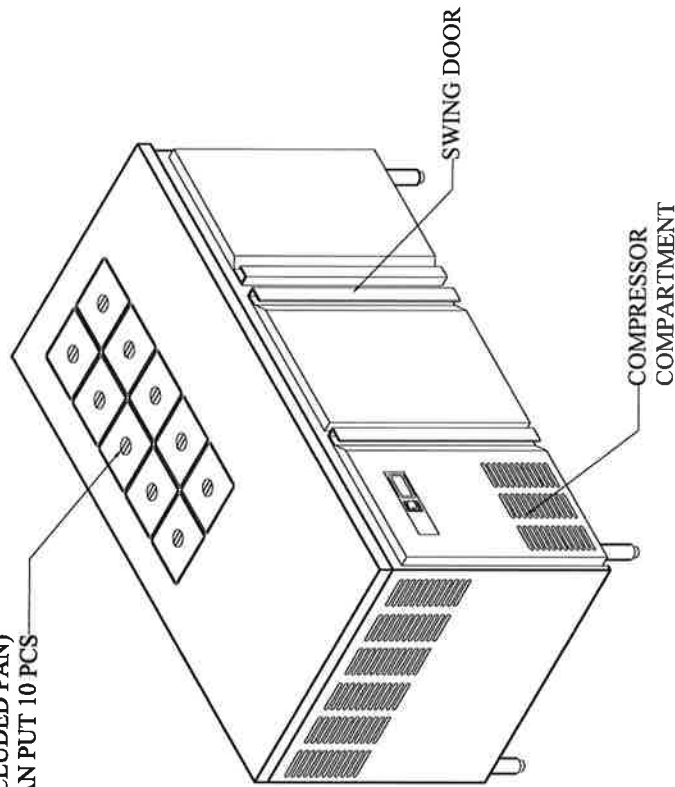
ALL DIMENSIONS SUBJECT TO VERIFICATION ON SITE BEFORE WORK COMMENCEMENT.

Top : 1.5mm THK
 Intermediate : 1.2mm THK
 Undershelf : 1.2mm THK
 Body : 0.8mm THK

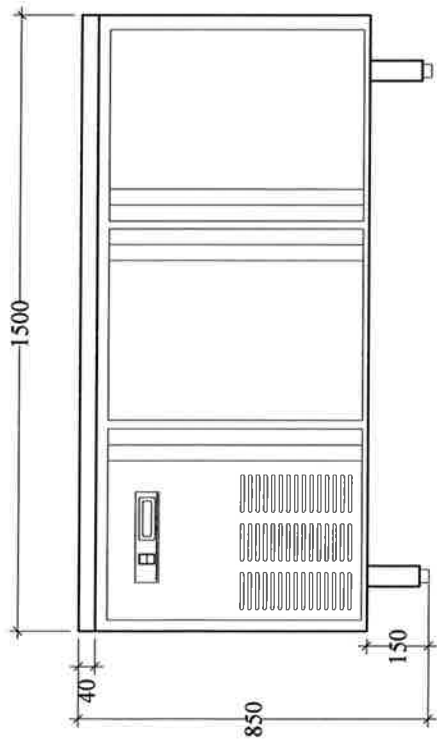
1/6 GN PAN (EXCLUDED PAN)
 CAN PUT 10 PCS



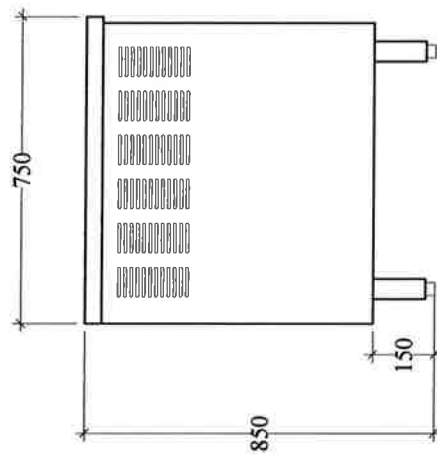
TOP VIEW



ISO VIEW



FRONT VIEW



SIDE VIEW

Quality Policy:
Customer satisfaction...every time !

Quality Objective:
*Consistency, Efficiency, Reliability
 Make it RIGHT first time.*

PROJECT:
LE CUISINE

TITLE:
**2 DOOR COUNTER CHILLER
 W/TOP OPENING**

DRAWN BY: MARY
 SCALE: N.T.S.
 DATE: 15/01/2014

ITEM NO: KT02
 QTY: 01

PROJECT CHECKED: ROYSTON
 SALES CHECKED: ROYSTON

CLIENT ACKNOWLEDGEMENT:

DRAWING NO: Q/2013/LC/ITEM
 REV: A

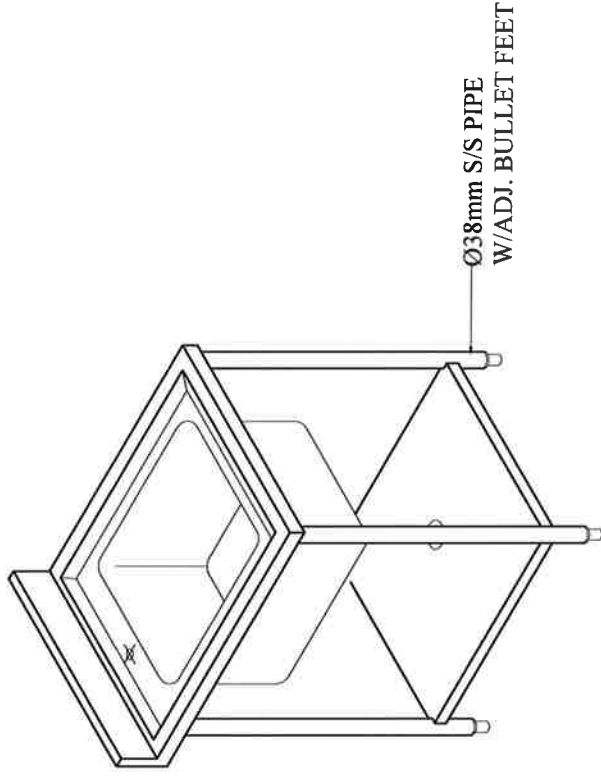


wholly owned subsidiary of
 Singapore Kitchen Equipment Ltd

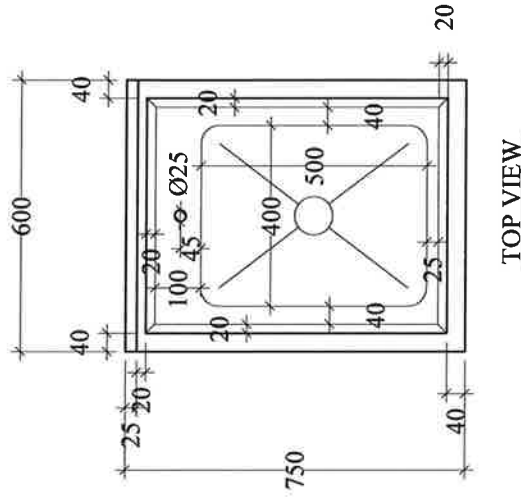
Singapore Kitchen Equipment Ltd
 Blk 115A Commonwealth Drive
 #01-27/28 Singapore 149596
 Tel: 6472 7337 Fax: 6472 6497
 Website : www.qson.com.sg

ALL DIMENSIONS SUBJECT TO VERIFICATION ON SITE BEFORE WORK COMMENCEMENT.

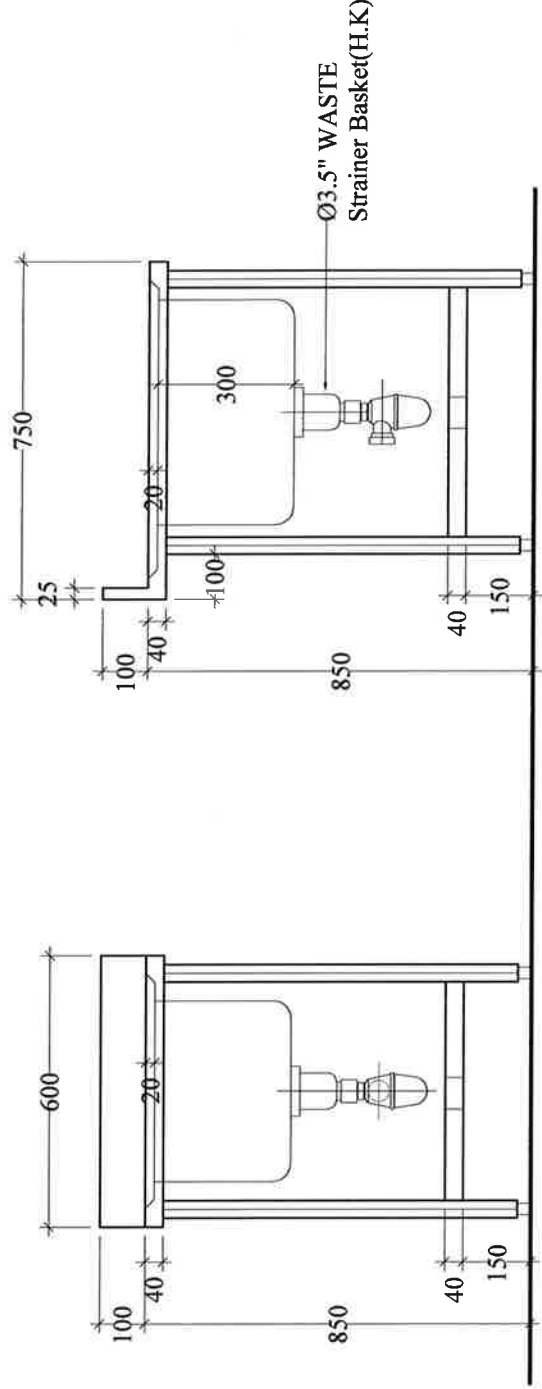
- Top : 1.5mm THK
- Intermediate : 1.2mm THK
- Undershelf : 1.2mm THK
- Body : 0.9mm THK



ISO VIEW



TOP VIEW



FRONT VIEW

SIDE VIEW

Quality Policy:
Customer satisfaction...every time !

Quality Objective:
Consistency, Efficiency,
Reliability
Make it RIGHT first time.

PROJECT:
LE CUISINE

TITLE:
**S/S SINGLE BOWL SINK TABLE
W/1 UNDER SHELF**

DRAWN BY: MARY
SCALE: N.T.S.
DATE: 23/12/2013
DELIVERY DATE:

ITEM NO.: KT04
QTY: 01
PROJECT CHECKED: SALES CHECKED:
CLIENT ACKNOWLEDGEMENT: ROYSTON

DRAWING NO.: Q/2013/LC/ITEM
REV: A

FABRICATION NO.:

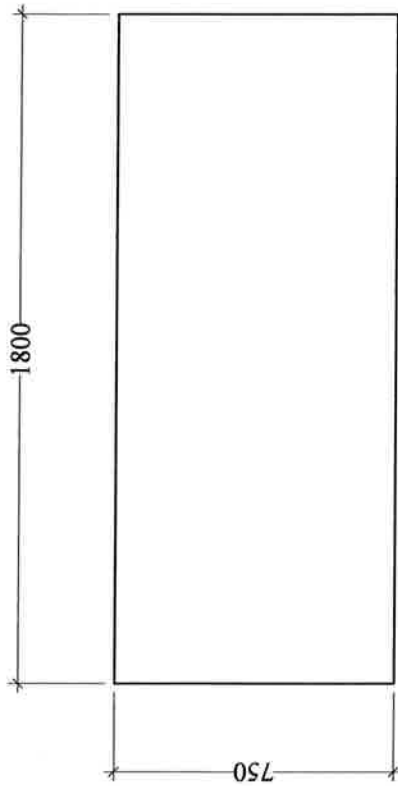


Wholly owned subsidiary of
Singapore Kitchen Equipment Ltd

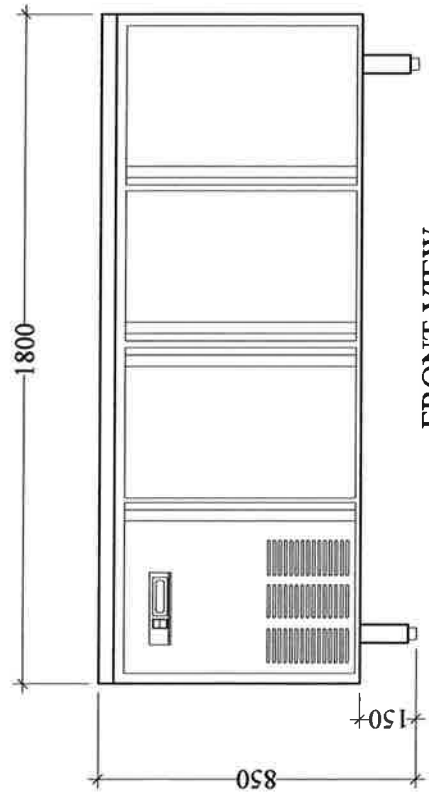
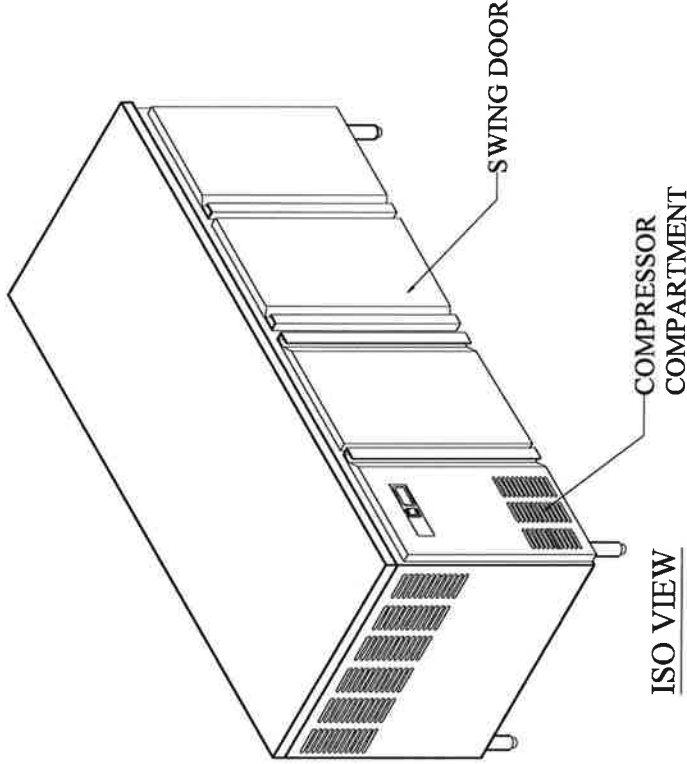
Singapore Kitchen Equipment Ltd
Blk 115A Commonwealth Drive
#01-27/28 Singapore 149596
Tel: 6472 7337 Fax: 6472 6497
Website : www.qson.com.sg

ALL DIMENSIONS SUBJECT TO VERIFICATION ON SITE BEFORE WORK COMMENCEMENT.

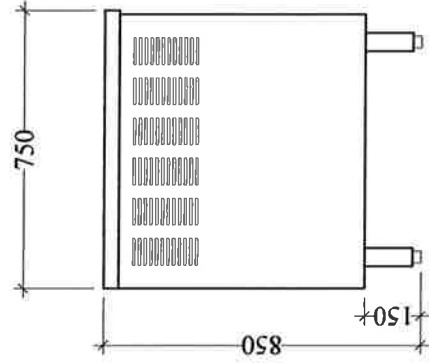
- Top : 1.5mm THK
- Intermediate : 1.2mm THK
- Undershelf : 1.2mm THK
- Body : 0.9mm THK



TOP VIEW



FRONT VIEW



SIDE VIEW

Quality Policy :
Customer satisfaction...every time !

Quality Objective:
*Consistency, Efficiency, Reliability
Make it RIGHT first time.*

PROJECT:
LE CUISINE

TITLE:
3 DOOR COUNTER CHILLER

DRAWN BY:	SCALE:	DATE:
MARY	N.T.S.	15/01/2014

DELIVERY DATE:

ITEM NO:	QTY:
KT05 & KT06	02
PROJECT CHECKED:	SALES CHECKED:
IP	ROYSTON

CLIENT ACKNOWLEDGEMENT:

DRAWING NO:	REV:
Q/2013/LC/ITEM	A

FABRICATION NO:



Singapore Kitchen Equipment Ltd
 Blk 115A Commonwealth Drive
 #01-27/28 Singapore 149596
 Tel: 6472 7337 Fax: 6472 6497
 Website : www.qson.com.sg

ALL DIMENSIONS SUBJECT TO VERIFICATION ON SITE BEFORE WORK COMMENCEMENT.

- Top : 1.5mm THK
- Intermediate : 1.2mm THK
- Undershelf : 1.2mm THK
- Body : 0.9mm THK

Quality Policy:
 Customer satisfaction...every time !

Quality Objective:
 Consistency, Efficiency, Reliability
 Make it RIGHT first time.

PROJECT:
LE CUISINE

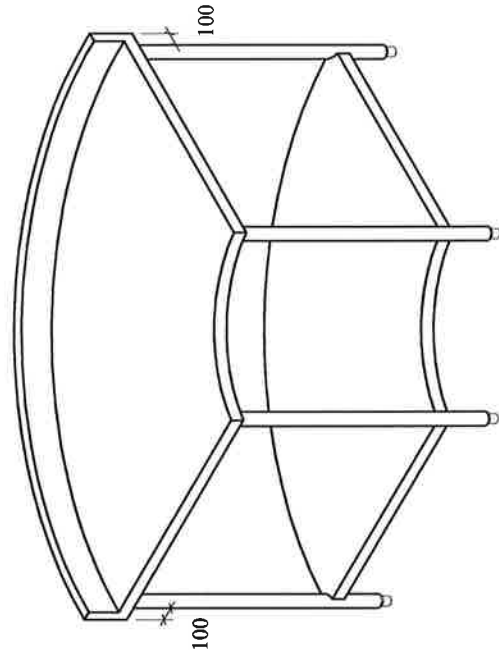
TITLE:

**S/S WORK TABLE
 W/2 UNDER SHELVES**

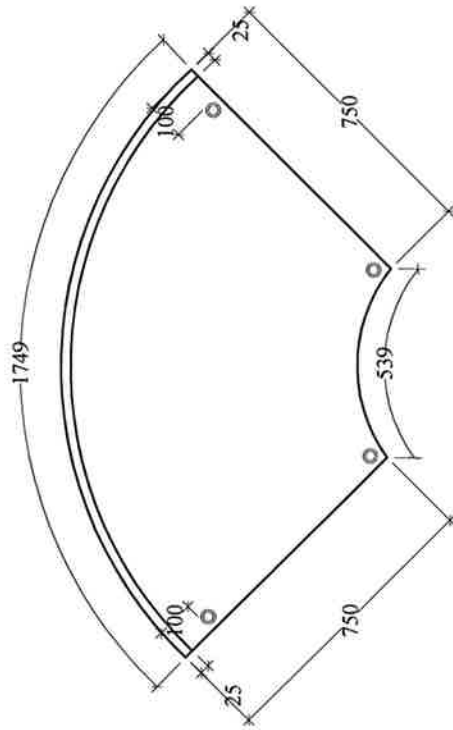
DRAWN BY: MARY
 SCALE: N.T.S.
 DATE: 23/12/2013
 DELIVERY DATE:

ITEM NO: KT07
 QTY: 01
 PROJECT CHECKED: SALES CHECKED:
 CLIENT ACKNOWLEDGEMENT: ROYSTON

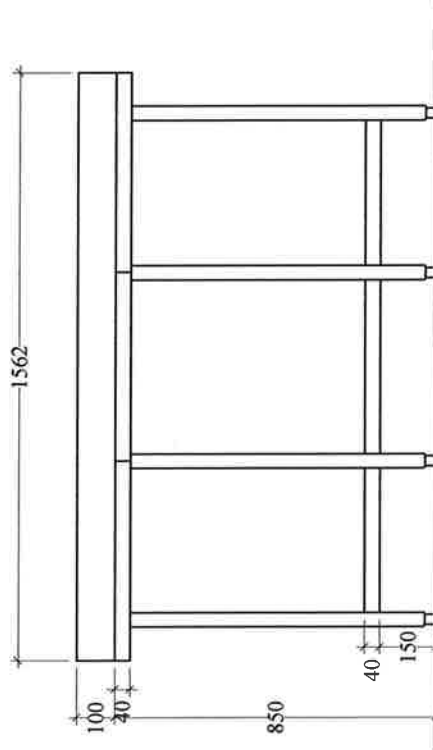
DRAWING NO: Q/2013/LC/ITEM
 REV: A
 FABRICATION NO:



ISO VIEW



TOP VIEW



FRONT VIEW

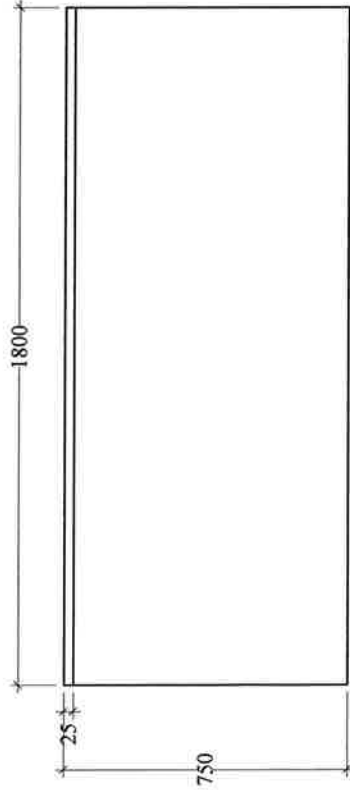


wholly owned subsidiary of
 Singapore Kitchen Equipment Ltd

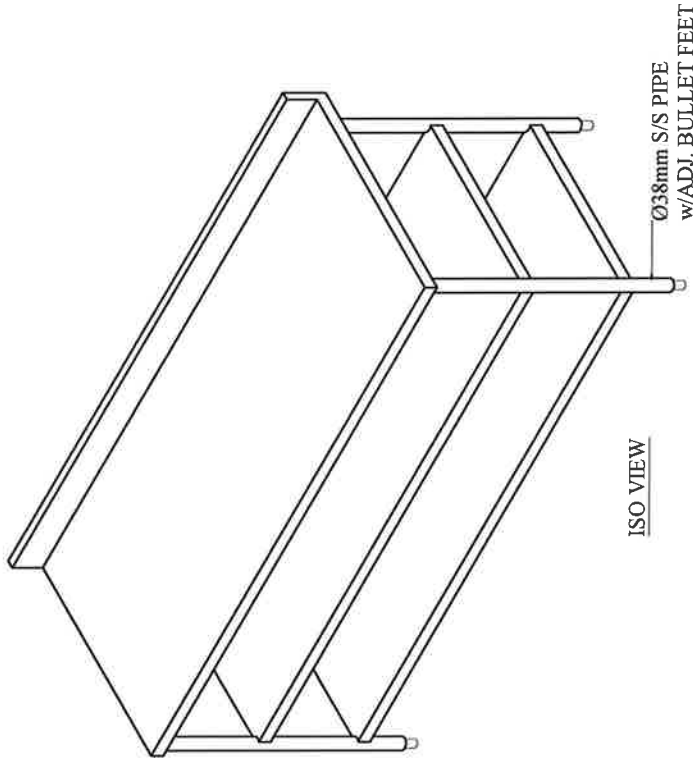
Singapore Kitchen Equipment Ltd
 Blk 115A Commonwealth Drive
 #01-27/28 Singapore 149596
 Tel: 6472 7337 Fax: 6472 6497
 Website : www.qson.com.sg

ALL DIMENSIONS SUBJECT TO VERIFICATION ON SITE BEFORE WORK COMMENCEMENT.

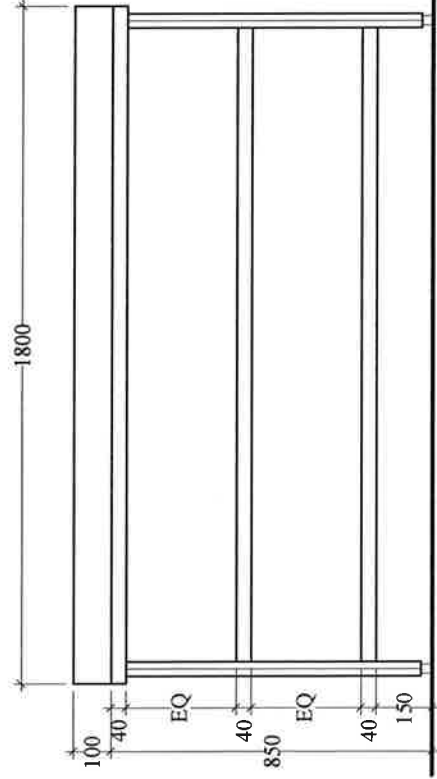
- Top : 1.5mm THK
- Intermediate : 1.2mm THK
- Undershelf : 1.2mm THK
- Body : 0.9mm THK



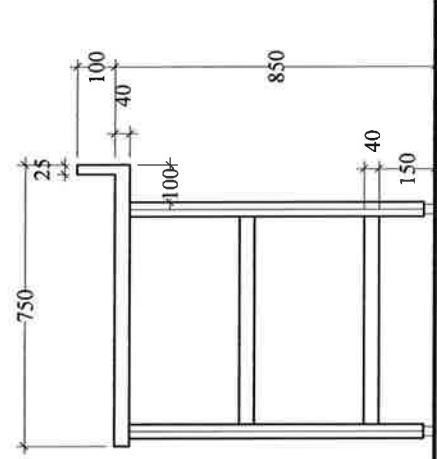
TOP VIEW



ISO VIEW



FRONT VIEW



SIDE VIEW

Quality Policy :
Customer satisfaction...every time !

Quality Objective:
Consistency, Efficiency, Reliability
Make it RIGHT first time.

PROJECT:
LE CUISINE

TITLE:
**S/S WORK TABLE
W/2 UNDER SHELVES**

DRAWN BY: MARY
SCALE: N.T.S.
DATE: 23/12/2013
DELIVERY DATE:

ITEM NO: KT08
QTY: 01
PROJECT CHECKED: SALES CHECKED:
CLIENT ACKNOWLEDGEMENT: ROYSTON

DRAWING NO: Q/2013/LC/ITEM
REV: A



wholly owned subsidiary of
Singapore Kitchen Equipment Ltd
Singapore Kitchen Equipment Ltd
Blk 115A Commonwealth Drive
#01-27/28 Singapore 149596
Tel: 6472 7337 Fax: 6472 6497
Website : www.qson.com.sg

ALL DIMENSIONS SUBJECT TO VERIFICATION ON SITE BEFORE WORK COMMENCEMENT.

- Top : 1.5mm THK
- Intermediate : 1.2mm THK
- Undershelf : 1.2mm THK
- Body : 0.9mm THK

Quality Policy :
Customer satisfaction...every time !

Quality Objective:
Consistency, Efficiency,
Reliability
Make it RIGHT first time.

PROJECT:

LE CUISINE

TITLE:

**S/S DOUBLE BOWL SINK TABLE
W/1 UNDER SHELF**

DRAWN BY:

MARY

SCALE:

N.T.S.

DATE:

23/12/2013

DELIVERY DATE:

ITEM NO.:

KT09

QTY:

01

PROJECT CHECKED:

SALES CHECKED:

ROYSTON

CLIENT ACKNOWLEDGEMENT:

DRAWING NO.:

Q/2013/LC/ITEM

REV.:

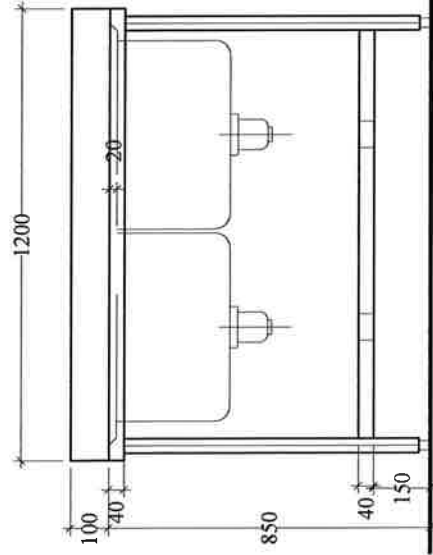
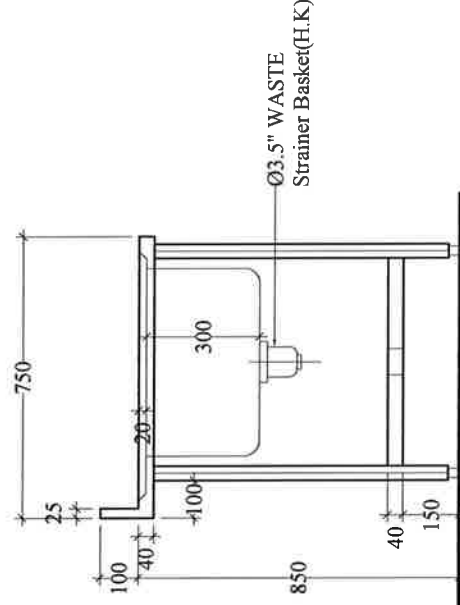
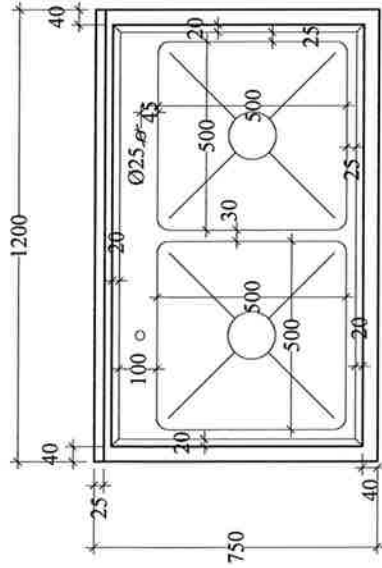
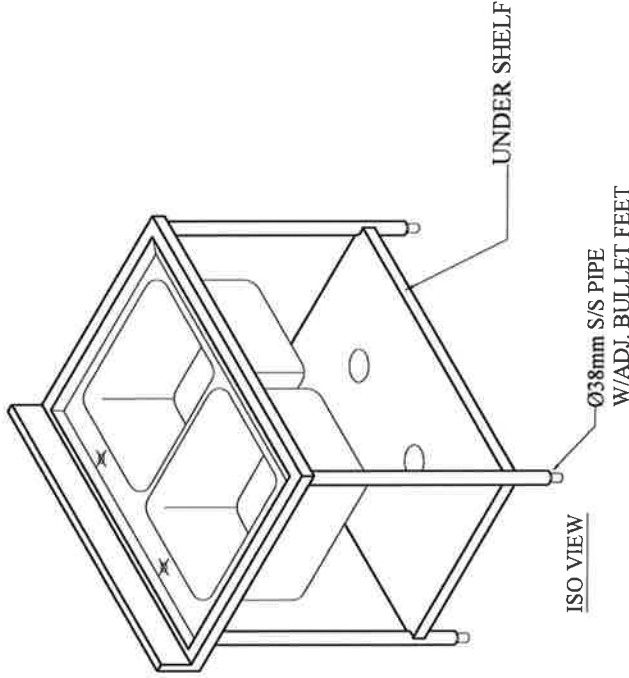
A

FABRICATION NO.:



wholly owned subsidiary of
Singapore Kitchen Equipment Ltd

Singapore Kitchen Equipment Ltd
Blk 115A Commonwealth Drive
#01-27/28 Singapore 149596
Tel: 6472 7337 Fax: 6472 6497
Website : www.qson.com.sg



ALL DIMENSIONS SUBJECT TO VERIFICATION ON SITE BEFORE WORK COMMENCEMENT.

- Top : 1.5mm THK
- Intermediate : 1.2mm THK
- Undershelf : 1.2mm THK
- Body : 0.9mm THK

Quality Policy :
 Customer satisfaction...every time !

Quality Objective:
 Consistency, Efficiency,
 Reliability
 Make it RIGHT first time.

PROJECT:

LE CUISINE

TITLE:

**S/S WORK TABLE
W/2 UNDER SHELVES**

DRAWN BY: SCALE: DATE:

MARY

N.T.S. 23/12/2013

DELIVERY DATE:

ITEM NO: QTY:

KT10

01

PROJECT CHECKED:

SALES CHECKED:

ROYSTON

CLIENT ACKNOWLEDGEMENT:

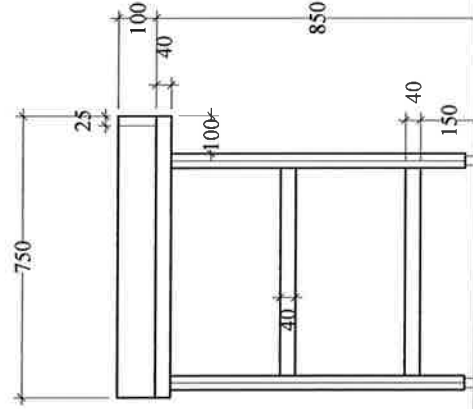
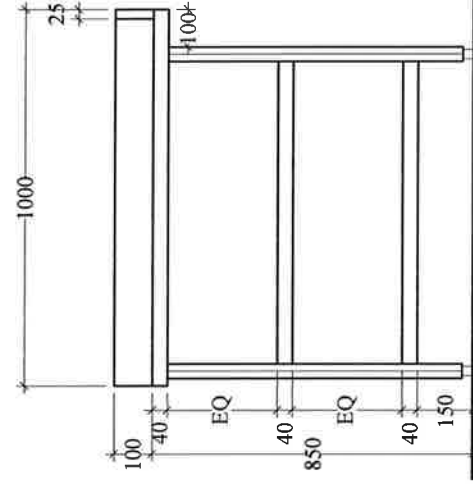
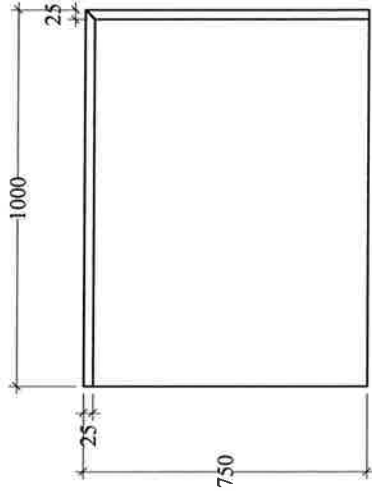
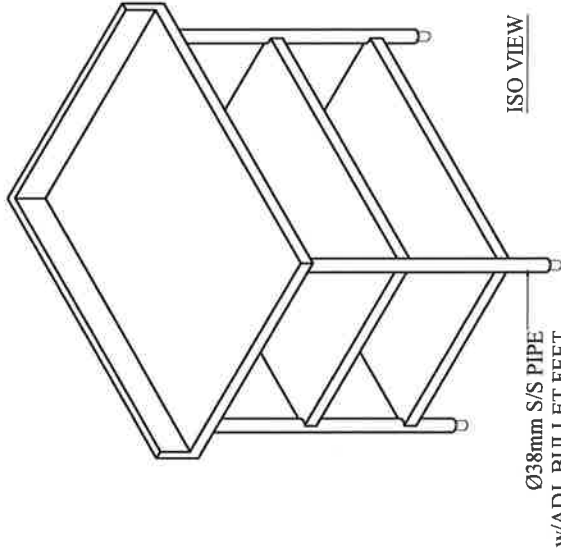
DRAWING NO:

Q/2013/LC/ITEM

REV:

A

FABRICATION NO:

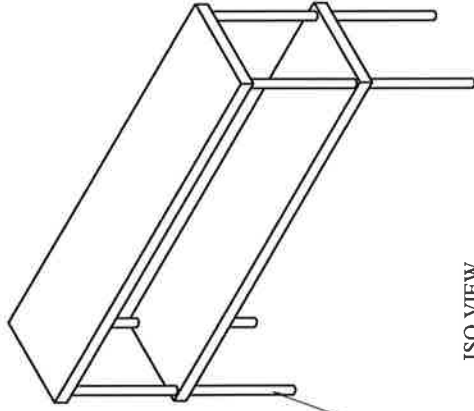


wholly owned subsidiary of
 Singapore Kitchen Equipment Ltd

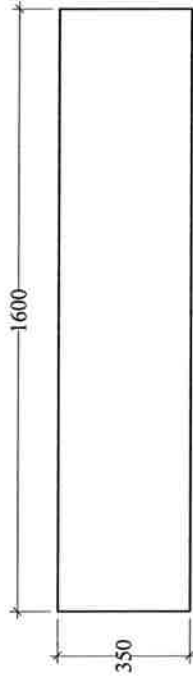
Singapore Kitchen Equipment Ltd
 Blk 115A Commonwealth Drive
 #01-27/28 Singapore 149596
 Tel: 6472 7337 Fax: 6472 6497
 Website : www.qson.com.sg

ALL DIMENSIONS SUBJECT TO VERIFICATION ON SITE BEFORE WORK COMMENCEMENT.

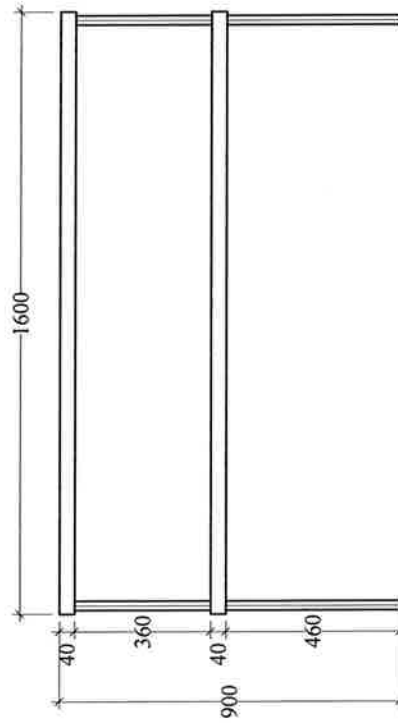
Top : 1.5mm THK
Intermediate : 1.2mm THK
Undershelf : 1.2mm THK
Body : 0.9mm THK



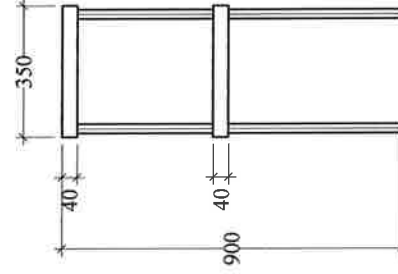
Ø25mm S/S PIPE



TOP VIEW



FRONT VIEW



SIDE VIEW

Quality Policy:

Customer satisfaction...every time !

Quality Objective:

Consistency, Efficiency, Reliability
Make it RIGHT first time.

PROJECT:

LE CUISINE

TITLE:

S/S 2-TIER OVERHEAD SHELF

DRAWN BY:

SCALE:

DATE:

MARY

N.T.S.

23/12/2013

DELIVERY DATE:

ITEM NO.:

QTY:

KT12

03

PROJECT CHECKED:

SALES CHECKED:

ROYSTON

ROYSTON

CLIENT ACKNOWLEDGEMENT:

DRAWING NO.:

REV.:

Q/2013/LC/ITEM

A

FABRICATION NO.:



wholly owned subsidiary of
Singapore Kitchen Equipment Ltd

Singapore Kitchen Equipment Ltd

Blk 115A Commonwealth Drive

#01-27/28 Singapore 149596

Tel: 6472 7337 Fax: 6472 6497

Website: www.qson.com.sg

ALL DIMENSIONS SUBJECT TO VERIFICATION ON SITE BEFORE WORK COMMENCEMENT.

- Top : 1.5mm THK
- Intermediate : 1.2mm THK
- Undershelf : 1.2mm THK
- Body : 0.9mm THK

Quality Policy :
Customer satisfaction...every time !

Quality Objective:
Consistency, Efficiency, Reliability
Make it RIGHT first time.

PROJECT:
LE CUISINE

TITLE:

S/S 1 BOWL SINK TABLE
W/SIDE 2 UNDER SHELVES

DRAWN BY: MARY
 SCALE: N.T.S.
 DATE: 15/01/2014

DELIVERY DATE:

ITEM NO:

KT13

PROJECT CHECKED:

QTY: 01

SALES CHECKED:

IP ROYSTON

CLIENT ACKNOWLEDGEMENT:

DRAWING NO:

Q/2013/LC/ITEM

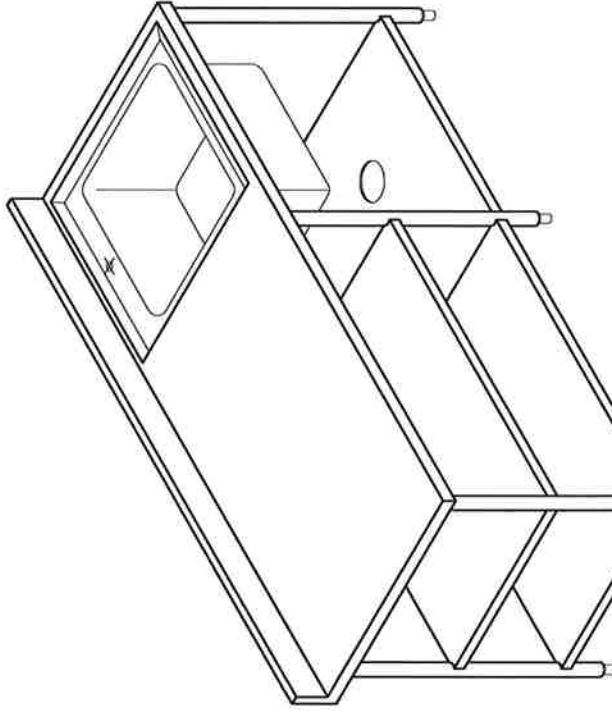
REV:

B

FABRICATION NO:

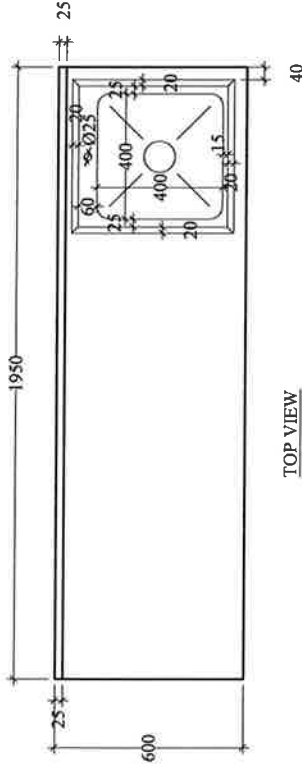


Singapore Kitchen Equipment Ltd
 wholly owned subsidiary of
 Singapore Kitchen Equipment Ltd
 Blk 115A Commonwealth Drive
 #01-27/28 Singapore 149596
 Tel: 6472 7337 Fax: 6472 6497
 Website : www.qson.com.sg

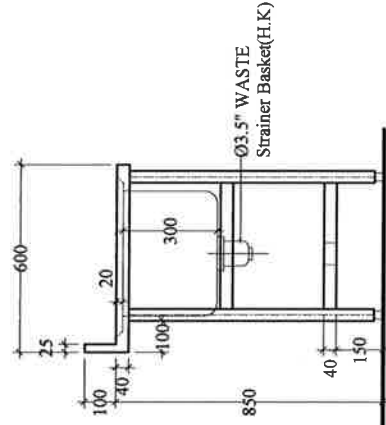


ISO VIEW

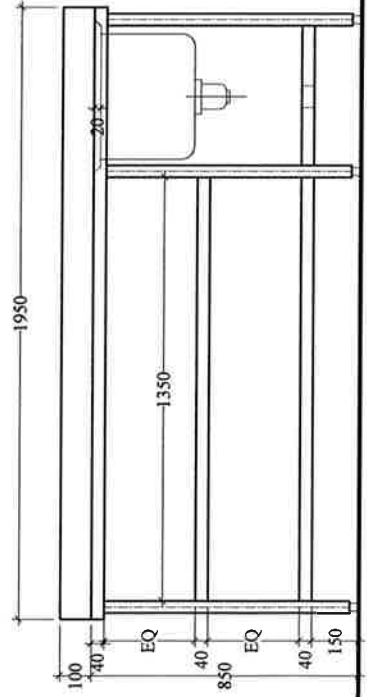
Ø38mm S/S PIPE
 W/ADJ. BULLETT FEET



TOP VIEW



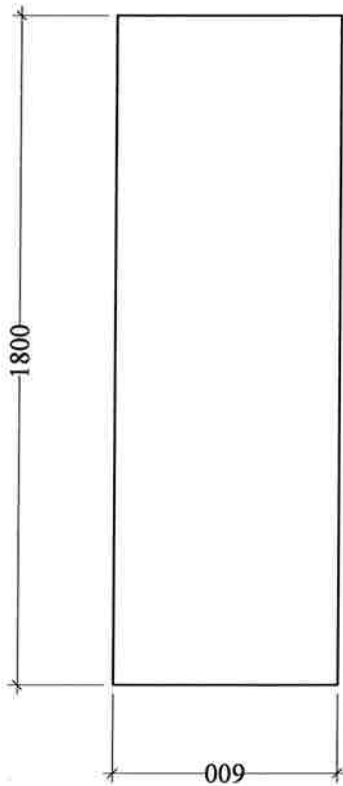
SIDE VIEW



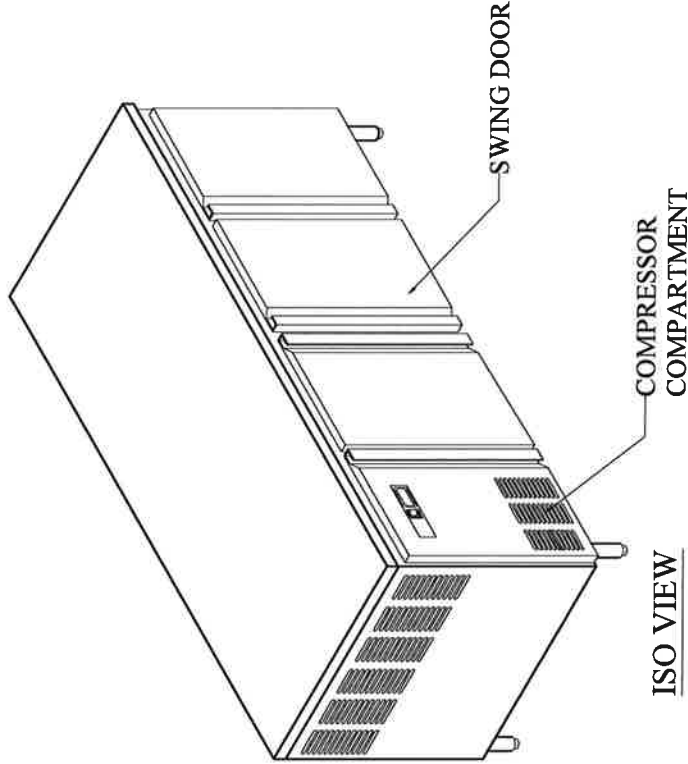
FRONT VIEW

ALL DIMENSIONS SUBJECT TO VERIFICATION ON SITE BEFORE WORK COMMENCEMENT.

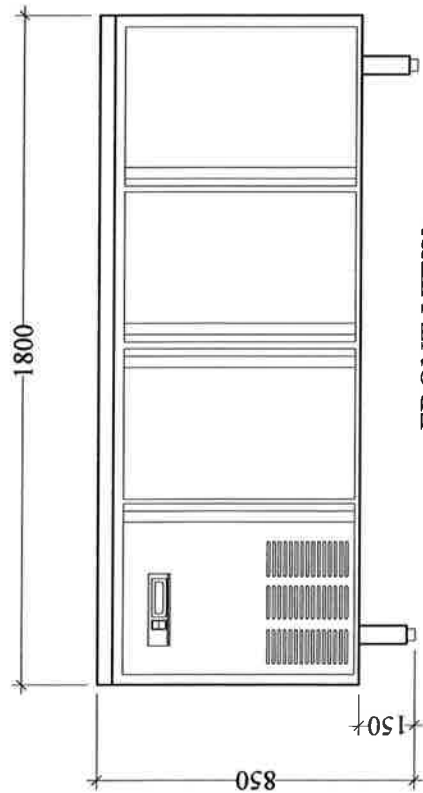
- Top : 1.5mm THK
- Intermediate : 1.2mm THK
- Undershelf : 1.2mm THK
- Body : 0.9mm THK



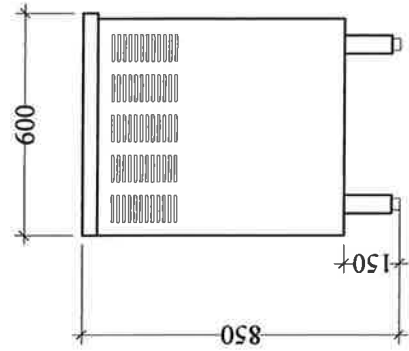
TOP VIEW



ISO VIEW



FRONT VIEW



SIDE VIEW

Quality Policy :
Customer satisfaction...every time !

Quality Objective:
*Consistency, Efficiency, Reliability
Make it RIGHT first time.*

PROJECT:
LE CUISINE

TITLE:
3 DOOR COUNTER CHILLER

DRAWN BY:	SCALE:	DATE:
MARY	N.T.S.	15/01/2014

ITEM NO.:	QTY:
KT14	01
PROJECT CHECKED:	SALES CHECKED:
IP	ROYSTON

CLIENT ACKNOWLEDGEMENT:

DRAWING NO.:	REV.:
Q/2013/LC/ITEM	A

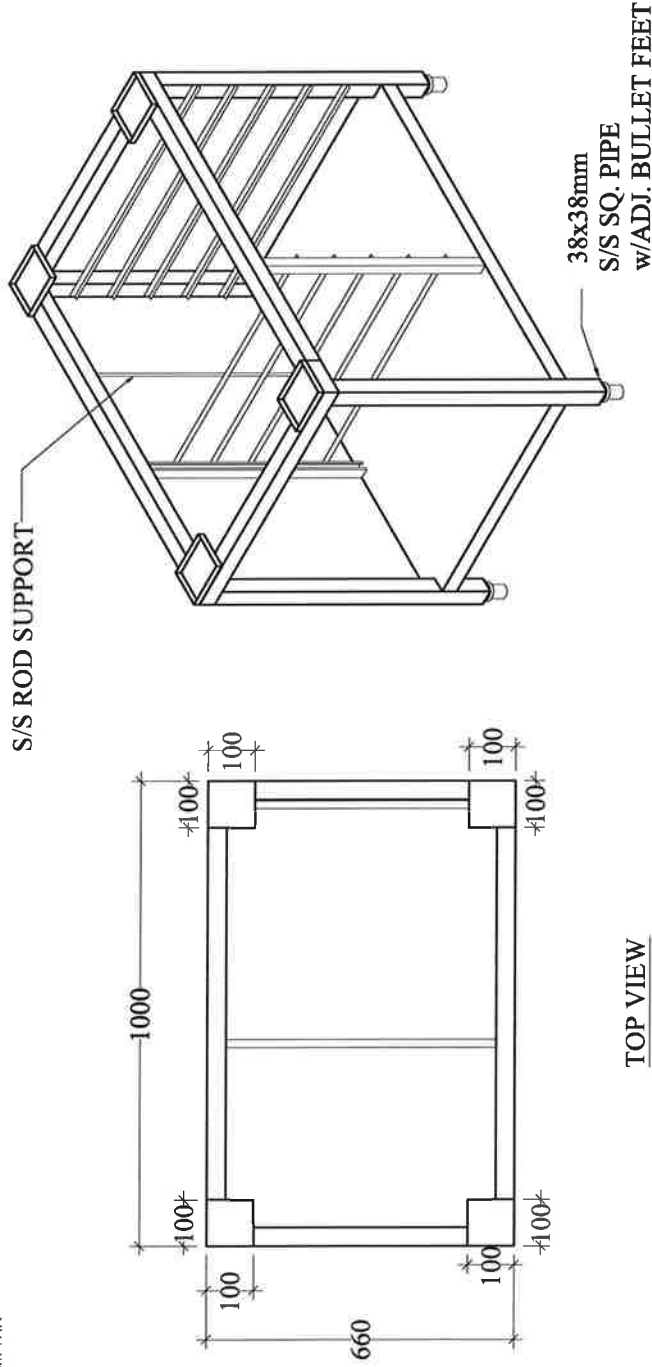
FABRICATION NO.:



Singapore Kitchen Equipment Ltd
 wholly owned subsidiary of
 Singapore Kitchen Equipment Ltd
 Blk 115A Commonwealth Drive
 #01-27/28 Singapore 149596
 Tel: 6472 7337 Fax: 6472 6497
 Website : www.qson.com.sg

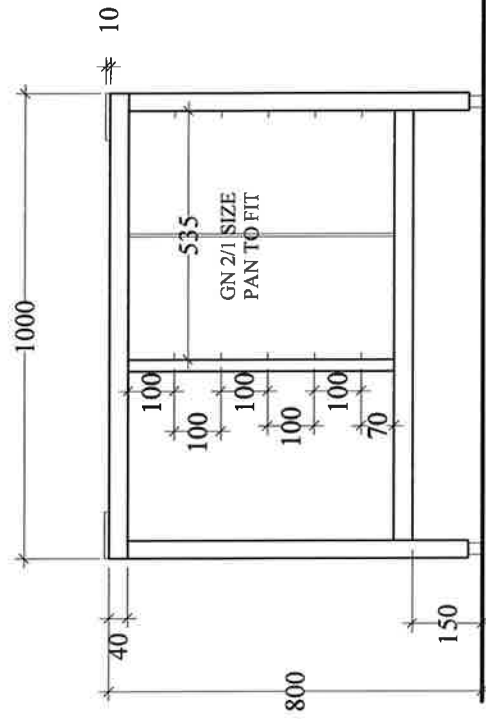
ALL DIMENSIONS SUBJECT TO VERIFICATION ON SITE BEFORE WORK COMMENCEMENT.

Top : 1.5mm THK
 Intermediate : 1.2mm THK
 Undersheif : 1.2mm THK
 Body : 0.9mm THK

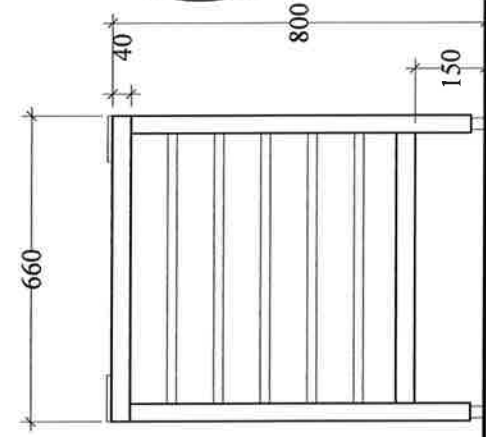


TOP VIEW

ISO VIEW



FRONT VIEW



SIDE VIEW

Quality Policy :
 Customer satisfaction...every time !

Quality Objective:
 Consistency, Efficiency,
 Reliability
 Make it RIGHT first time.

PROJECT:
LE CUISINE

TITLE:
S/S COMBI STAND

DRAWN BY: MARY
 SCALE: N.T.S.
 DATE: 23/12/2013

ITEM NO: KT16
 QTY: 01
 PROJECT CHECKED: SALES CHECKED:
 CLIENT ACKNOWLEDGEMENT: ROYSTON

DRAWING NO: Q/2013/LC/ITEM
 REV: A
 FABRICATION NO:

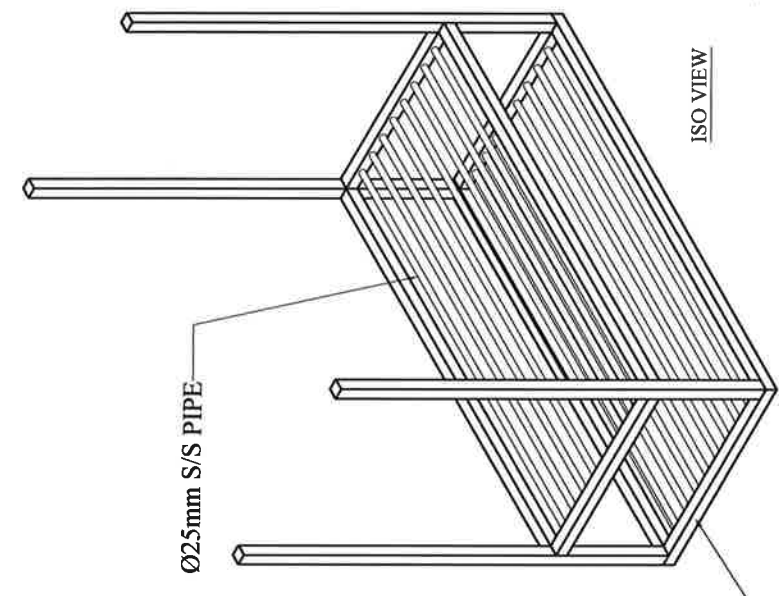


wholly owned subsidiary of
 Singapore Kitchen Equipment Ltd

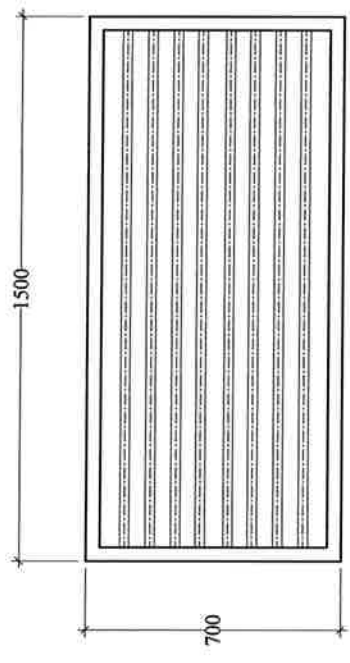
Singapore Kitchen Equipment Ltd
 Blk 115A Commonwealth Drive
 #01-27/28 Singapore 149596
 Tel: 6472 7337 Fax: 6472 6497
 Website : www.qson.com.sg

ALL DIMENSIONS SUBJECT TO VERIFICATION ON SITE BEFORE WORK COMMENCEMENT.

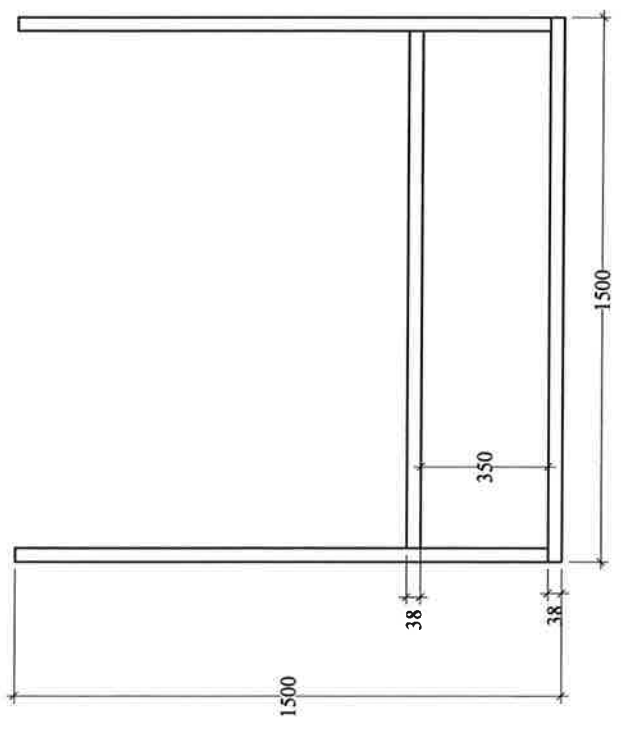
- Top : 1.5mm THK
- Intermediate : 1.2mm THK
- Undershelf : 1.2mm THK
- Body : 0.9mm THK



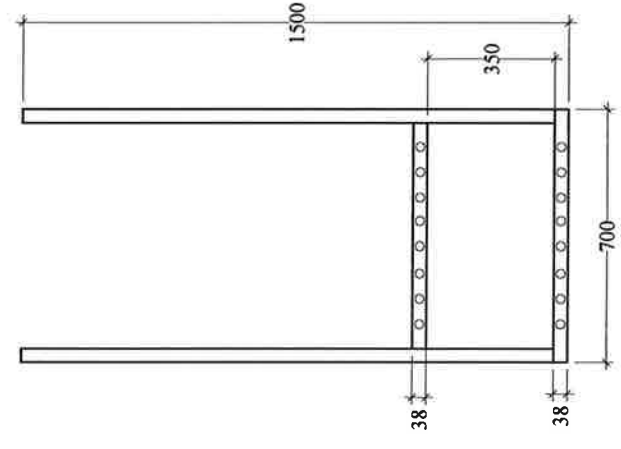
ISO VIEW



TOP VIEW



FRONT VIEW



SIDE VIEW

Quality Policy :
Customer satisfaction...every time !

Quality Objective:
Consistency, Efficiency, Reliability
Make it RIGHT first time.

PROJECT:
LE CUISINE

TITLE:
**S/S 2-TIER CEILING HUNG
 PIPE SHELF**

DRAWN BY: MARY
 SCALE: N.T.S.
 DATE: 23/12/2013

DELIVERY DATE:

ITEM NO: KT17 , KT24
 QTY: 02

PROJECT CHECKED: SALES CHECKED:

CLIENT ACKNOWLEDGEMENT: ROYSTON

DRAWING NO: Q/2013/LC/ITEM
 REV: A

FABRICATION NO:

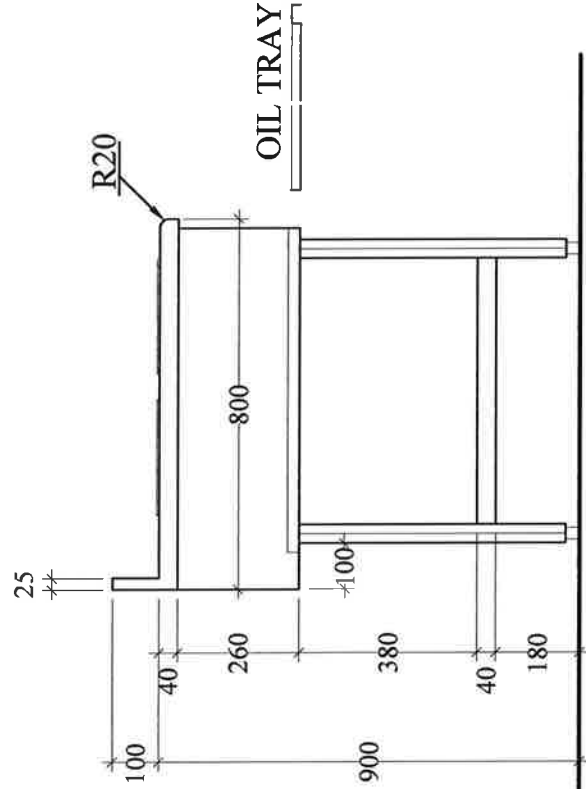
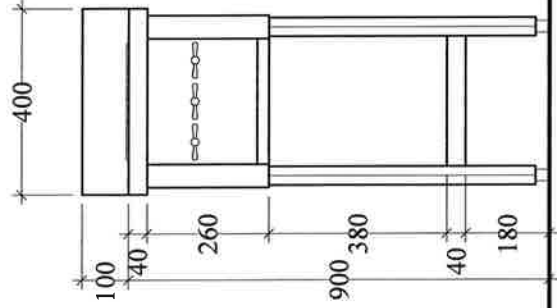
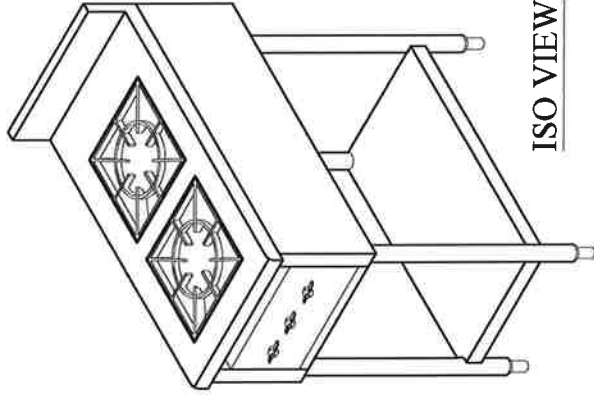
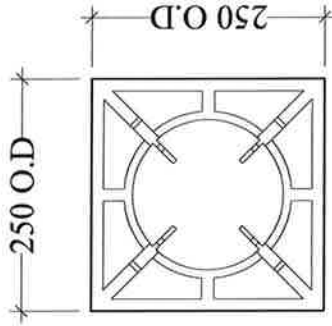
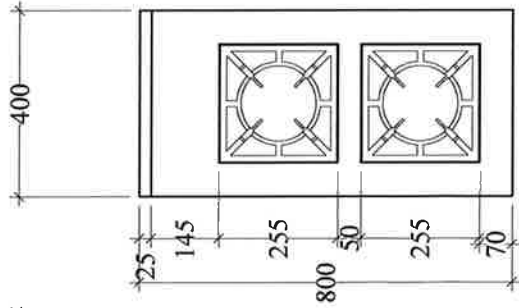


wholly owned subsidiary of
 Singapore Kitchen Equipment Ltd

Singapore Kitchen Equipment Ltd
 Blk 115A Commonwealth Drive
 #01-27/28 Singapore 149596
 Tel: 6472 7337 Fax: 6472 6497
 Website : www.qson.com.sg

ALL DIMENSIONS SUBJECT TO VERIFICATION ON SITE BEFORE WORK COMMENCEMENT.

Top : 1.5mm THK
 Intermediate : 1.2mm THK
 Undershelf : 1.2mm THK
 Body : 0.9mm THK



FRONT VIEW

SIDE VIEW

Quality Policy:
 Customer satisfaction...every time !

Quality Objective:
 Consistency, Efficiency, Reliability
 Make it RIGHT first time.

PROJECT:
LE CUISINE

TITLE:
S/S 2 OPEN BURNER W/UNDER SHELF

DRAWN BY: MARY
 SCALE: N.T.S.
 DATE: 23/12/2013

ITEM NO: KT18
 QTY: 01

PROJECT CHECKED: SALES CHECKED: ROYSTON

CLIENT ACKNOWLEDGEMENT:

DRAWING NO: Q/2013/LC/ITEM
 REV: A

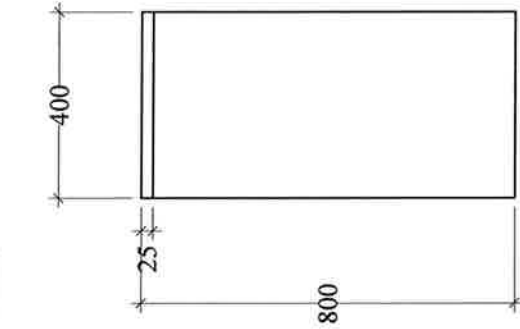
FABRICATION NO:



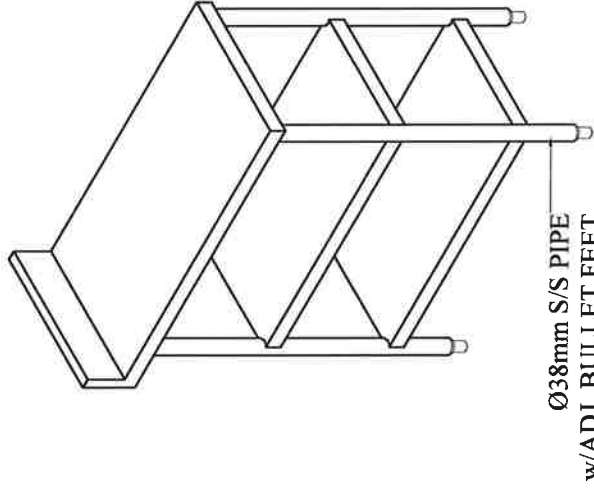
Singapore Kitchen Equipment Ltd
 Blk 115A Commonwealth Drive
 #01-27/28 Singapore 149596
 Tel: 6472 7337 Fax: 6472 6497
 Website : www.qson.com.sg

ALL DIMENSIONS SUBJECT TO VERIFICATION ON SITE BEFORE WORK COMMENCEMENT.

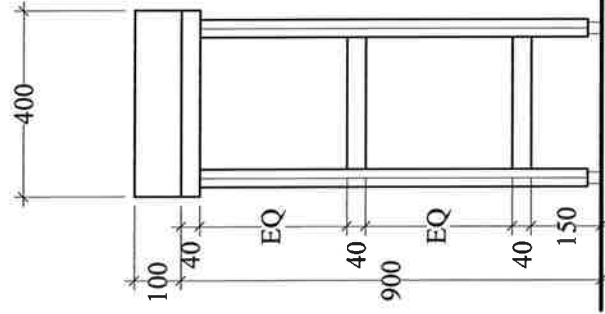
Top : 1.5mm THK
 Intermediate : 1.2mm THK
 Undershelf : 1.2mm THK
 Body : 0.9mm THK



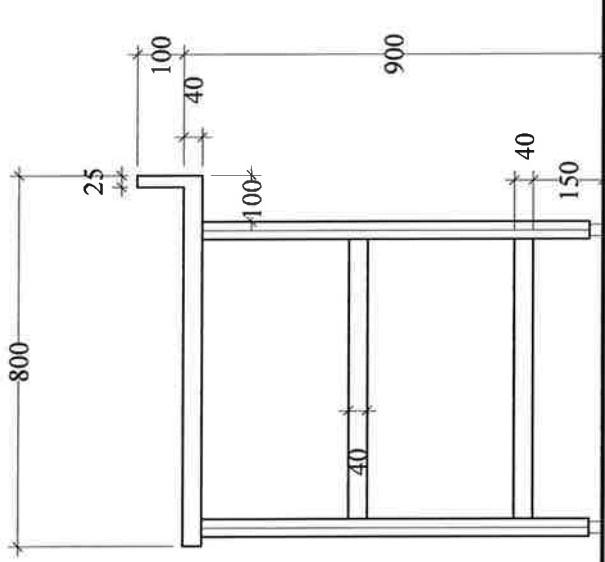
TOP VIEW



ISO VIEW



FRONT VIEW



SIDE VIEW

Quality Policy:
 Customer satisfaction...every time !

Quality Objective:
 Consistency, Efficiency,
 Reliability
 Make it RIGHT first time.

PROJECT:
LE CUISINE

TITLE:
**S/S SPREADER TABLE
 W/2 UNDER SHELVES**

DRAWN BY:	SCALE:	DATE:
MARY	N.T.S.	23/12/2013
DELIVERY DATE:		

ITEM NO.:	QTY:
KT20	01
PROJECT CHECKED:	SALES CHECKED:
	ROYSTON
CLIENT ACKNOWLEDGEMENT:	

DRAWING NO.:	REV.:
Q/2013/LC/ITEM	A
FABRICATION NO.:	

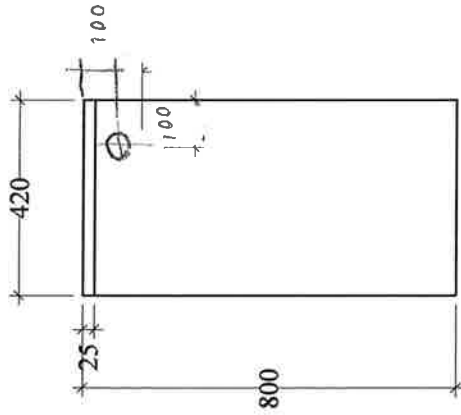


wholly owned subsidiary of
 Singapore Kitchen Equipment Ltd

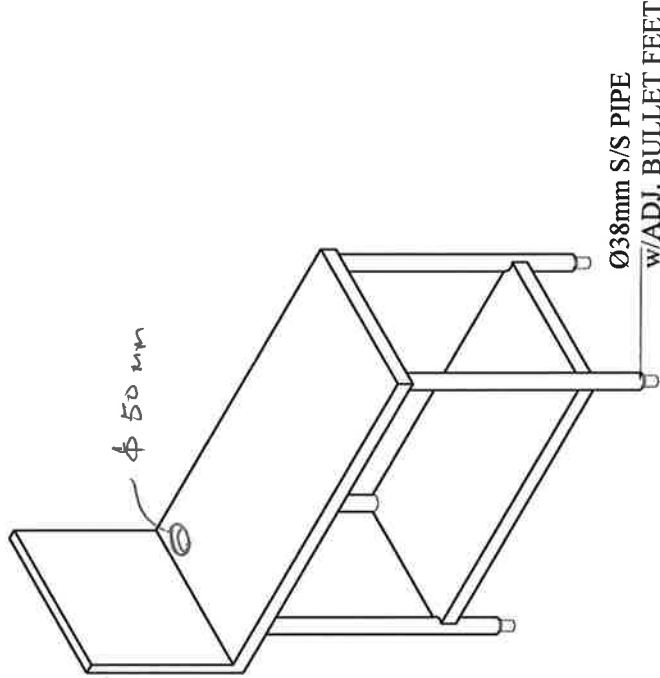
Singapore Kitchen Equipment Ltd
 Blk 115A Commonwealth Drive
 #01-27/28 Singapore 149596
 Tel: 6472 7337 Fax: 6472 6497
 Website : www.qson.com.sg

ALL DIMENSIONS SUBJECT TO VERIFICATION ON SITE BEFORE WORK COMMENCEMENT.

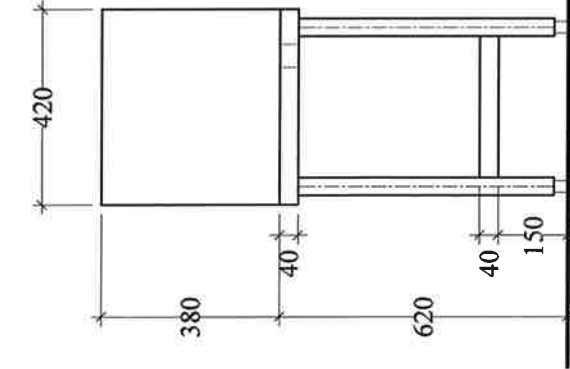
- Top : 1.5mm THK
- Intermediate : 1.2mm THK
- Undershelf : 1.2mm THK
- Body : 0.9mm THK



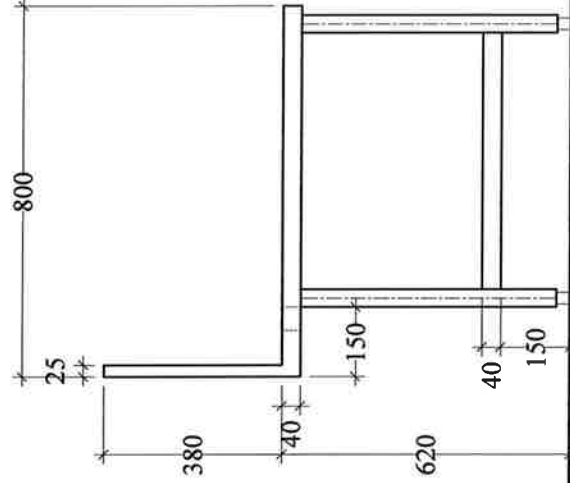
TOP VIEW



ISO VIEW



FRONT VIEW



SIDE VIEW

Quality Policy :
Customer satisfaction...every time !

Quality Objective:
*Consistency, Efficiency, Reliability
Make it RIGHT first time.*

PROJECT:
LE CUISINE

TITLE:
**S/S EQUIPMENT STAND
FOR GRIDDLE**

DRAWN BY:	SCALE:	DATE:
MARY	N. T. S.	23/12/2013

DELIVERY DATE:

ITEM NO.:	QTY:
KT22A	01
PROJECT CHECKED:	SALES CHECKED:
	ROYSTON

CLIENT ACKNOWLEDGEMENT:

DRAWING NO.:	REV.:
Q/2013/LC/ITEM	A
FABRICATION NO.:	



Singapore Kitchen Equipment Ltd
 wholly owned subsidiary of
 Singapore Kitchen Equipment Ltd
 Blk 115A Commonwealth Drive
 #01-27/28 Singapore 149596
 Tel: 6472 7337 Fax: 6472 6497
 Website : www.qson.com.sg

ALL DIMENSIONS SUBJECT TO VERIFICATION ON SITE BEFORE WORK COMMENCEMENT.

Top : 1.5mm THK
 Intermediate : 1.2mm THK
 Undershelf : 1.2mm THK
 Body : 0.9mm THK

Quality Policy :
 Customer satisfaction...every time !

Quality Objective:
 Consistency, Efficiency, Reliability
 Make it **RIGHT** first time.

PROJECT:
LE CUISINE

TITLE:
 S/S BAIN MARIE

DRAWN BY: MARY
 SCALE: N. T. S.
 DATE: 23/12/2013

ITEM NO: KT25
 QTY: 01
 PROJECT CHECKED: SALES CHECKED:
 CLIENT ACKNOWLEDGEMENT: ROYSTON

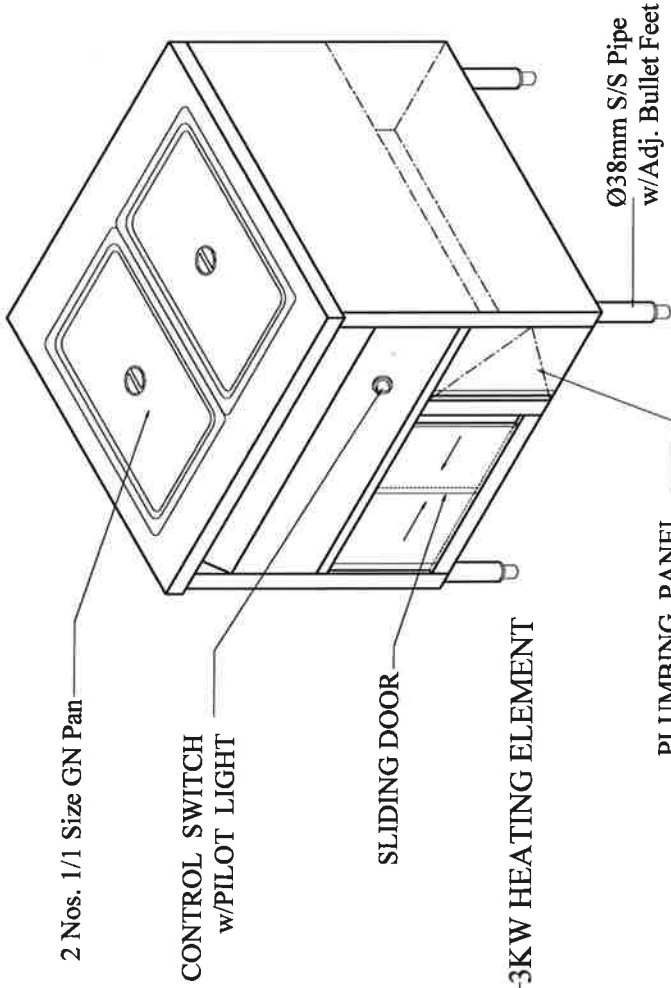
DRAWING NO: Q/2013/LC/ITEM
 REV: A

FABRICATION NO:

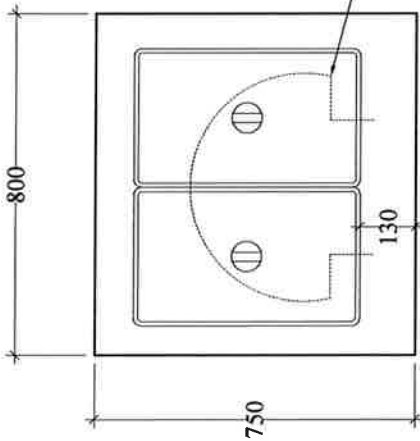


wholly owned subsidiary of
 Singapore Kitchen Equipment Ltd

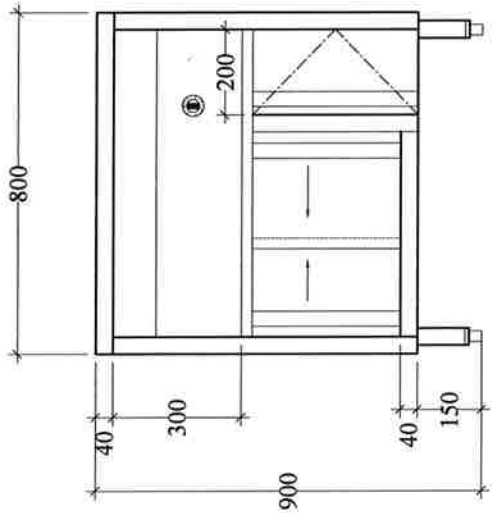
Singapore Kitchen Equipment Ltd
 Blk 115A Commonwealth Drive
 #01-27/28 Singapore 149596
 Tel: 6472 7337 Fax: 6472 6497
 Website : www.qson.com.sg



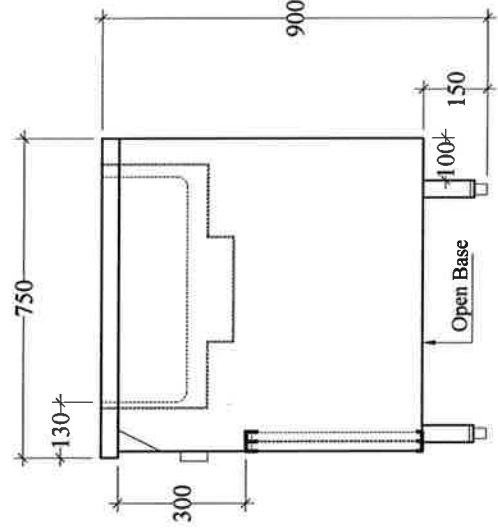
ISO VIEW



TOP VIEW



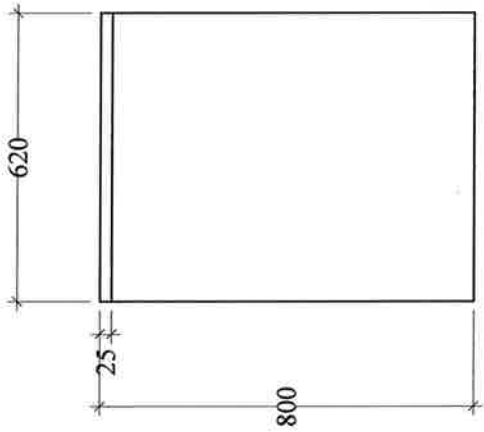
FRONT VIEW



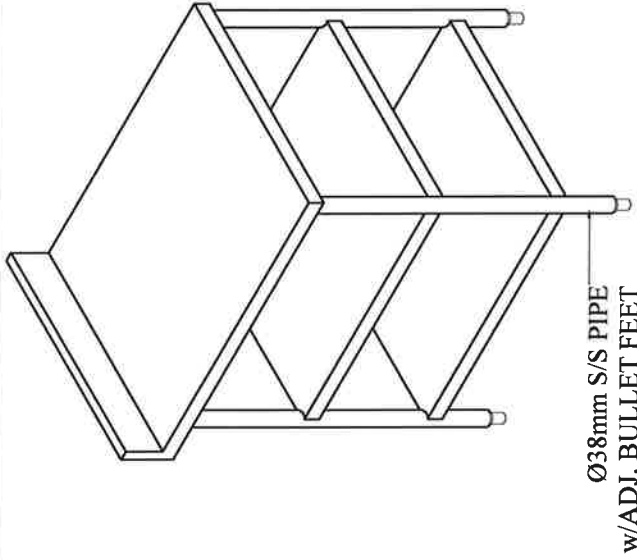
SIDE VIEW

ALL DIMENSIONS SUBJECT TO VERIFICATION ON SITE BEFORE WORK COMMENCEMENT.

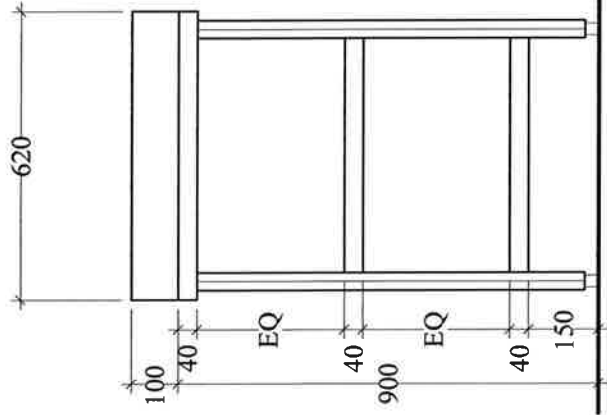
- Top : 1.5mm THK
- Intermediate : 1.2mm THK
- Undershelf : 1.2mm THK
- Body : 0.9mm THK



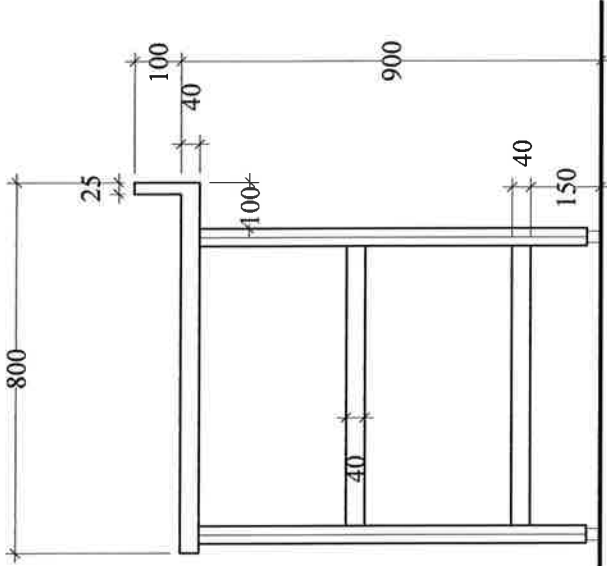
TOP VIEW



ISO VIEW



FRONT VIEW



SIDE VIEW

Quality Policy:
Customer satisfaction...every time !

Quality Objective:
Consistency, Efficiency, Reliability
Make it RIGHT first time.

PROJECT:

LE CUISINE

TITLE:

**S/S EQUIPMENT STAND
W/2 UNDER SHELVES**

DRAWN BY:	SCALE:	DATE:
MARY	N.T.S.	23/12/2013
DELIVERY DATE:		

ITEM NO:	QTY:
KT27	01
PROJECT CHECKED:	SALES CHECKED:
-	ROYSTON
CLIENT ACKNOWLEDGEMENT:	

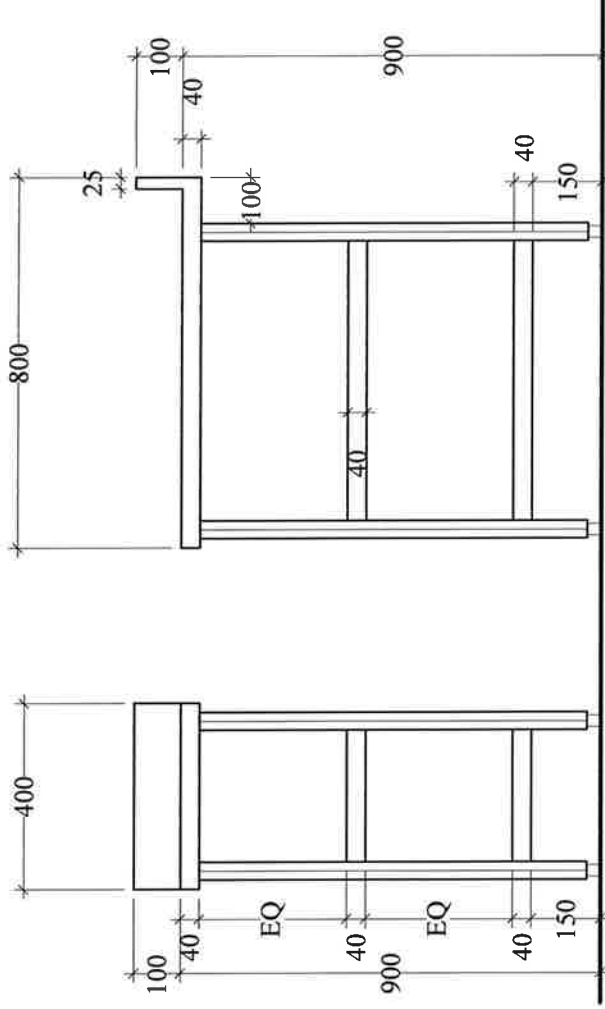
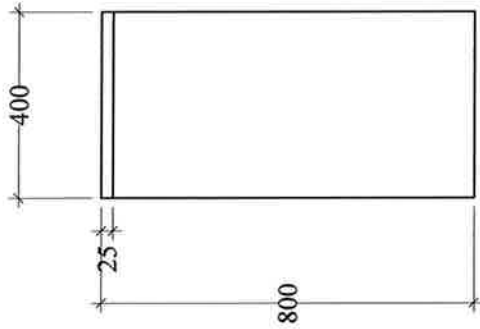
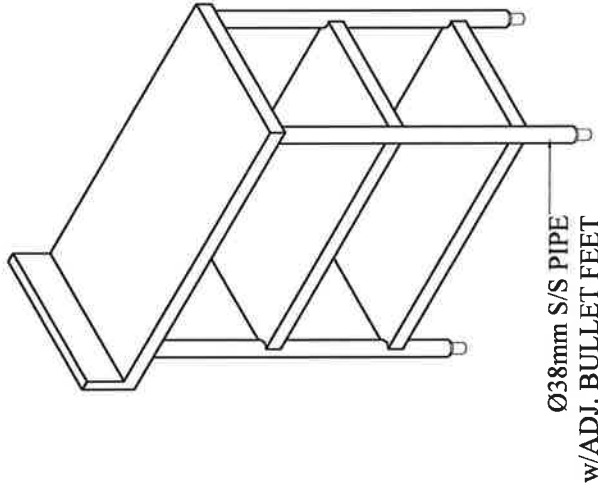
DRAWING NO:	REV:
Q/2013/LC/ITEM	A
FABRICATION NO:	
-	



Singapore Kitchen Equipment Ltd
Blk 115A Commonwealth Drive
#01-27/28 Singapore 149596
Tel: 6472 7337 Fax: 6472 6497
Website : www.qson.com.sg

ALL DIMENSIONS SUBJECT TO VERIFICATION ON SITE BEFORE WORK COMMENCEMENT.

Top : 1.5mm THK
Intermediate : 1.2mm THK
Undershelf : 1.2mm THK
Body : 0.9mm THK



Quality Policy :
Customer satisfaction...every time !

Quality Objective:
Consistency, Efficiency,
Reliability
Make it RIGHT first time.

PROJECT:
LE CUISINE

TITLE:
**S/S SPREADER TABLE
W/2 UNDER SHELVES**

DRAWN BY: MARY
SCALE: N.T.S.
DATE: 23/12/2013
DELIVERY DATE:

ITEM NO: KT29
QTY: 01
PROJECT CHECKED: SALES CHECKED:
CLIENT ACKNOWLEDGEMENT: ROYSTON

DRAWING NO: Q/2013/LC/ITEM
REV: A

FABRICATION NO:



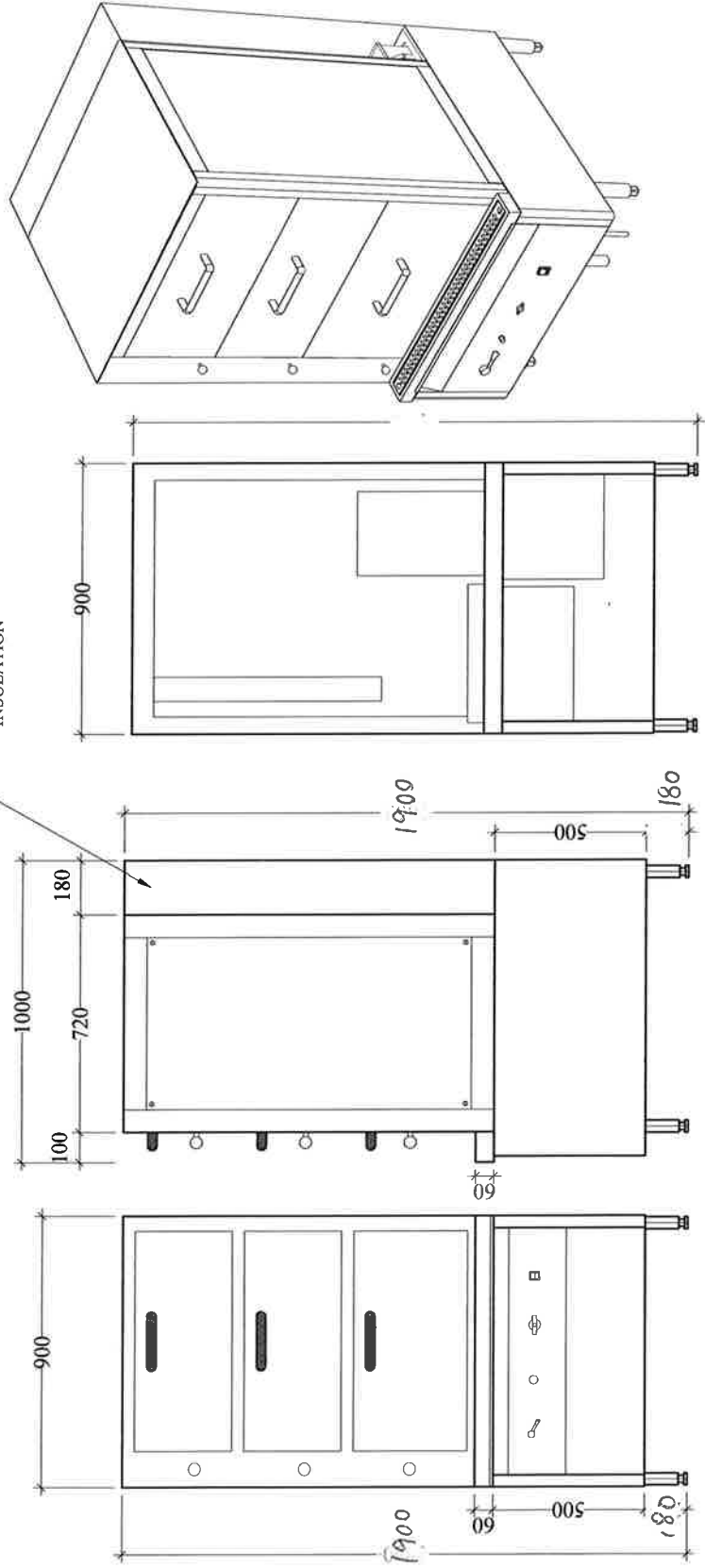
wholly owned subsidiary of
Singapore Kitchen Equipment Ltd

Singapore Kitchen Equipment Ltd
Blk 115A Commonwealth Drive
#01-27/28 Singapore 149596
Tel: 6472 7337 Fax: 6472 6497
Website : www.qson.com.sg

ALL DIMENSIONS SUBJECT TO VERIFICATION ON SITE BEFORE WORK COMMENCEMENT.

- Top : 1.5mm THK
- Intermediate : 1.2mm THK
- Undershelf : 1.2mm THK
- Body : 0.9mm THK

REMOVABLE BACK COVER W/ INSULATION



Quality Policy:
Customer satisfaction...every time !

Quality Objective:
Consistency, Efficiency, Reliability
Make it RIGHT first time.

PROJECT:
LE CUISINE

TITLE:
3 DECK STEAMER RANGE

DRAWN BY: MARY
SCALE: N.T.S.
DATE: 23/12/2013

ITEM NO: KT30
QTY: 01
PROJECT CHECKED: SALES CHECKED: ROYSTON
CLIENT ACKNOWLEDGEMENT:

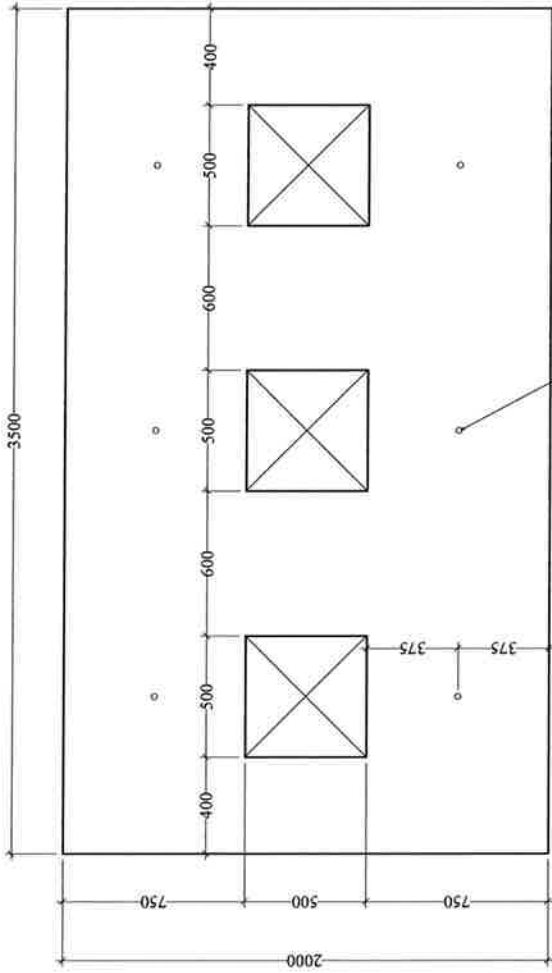
DRAWING NO: Q/2013/LC/ITEM
REV: A
FABRICATION NO:



wholly owned subsidiary of
Singapore Kitchen Equipment Ltd
Singapore Kitchen Equipment Ltd
Blk 115A Commonwealth Drive
#01-27/28 Singapore 149596
Tel: 6472 7337 Fax: 6472 6497
Website : www.qson.com.sg

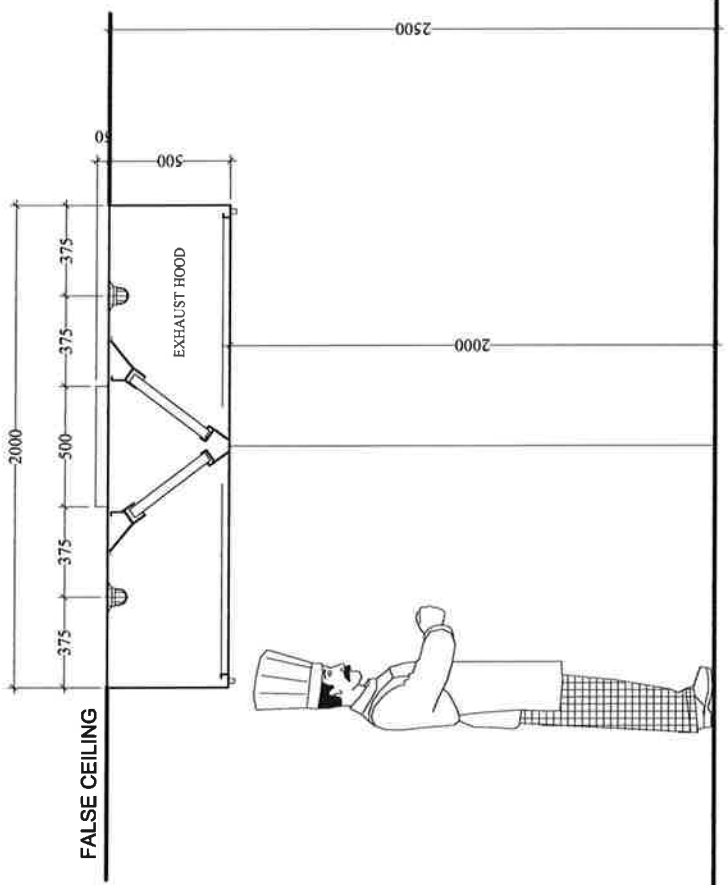
ALL DIMENSIONS SUBJECT TO VERIFICATION ON SITE BEFORE WORK COMMENCEMENT.

- Top : 1.5mm THK
- Intermediate : 1.2mm THK
- Undershelf : 1.2mm THK
- Body : 0.9mm THK



TOP VIEW

HOLE OPENING FOR HOOD LIGHT



FALSE CEILING

EXHAUST HOOD

SIDE ELEVATION

Quality Policy :
Customer satisfaction...every time !

Quality Objective:
Consistency, Efficiency,
Reliability
Make it RIGHT first time.

PROJECT:
LE CUISINE

TITLE:
S/S ISLAND EXHAUST HOOD

DRAWN BY:	SCALE:	DATE:
MARY	N.T.S.	08/01/2014
DELIVERY DATE:		

ITEM NO.:	QTY:
KT31	01
PROJECT CHECKED:	SALES CHECKED:
	ROYSTON
CLIENT ACKNOWLEDGEMENT:	

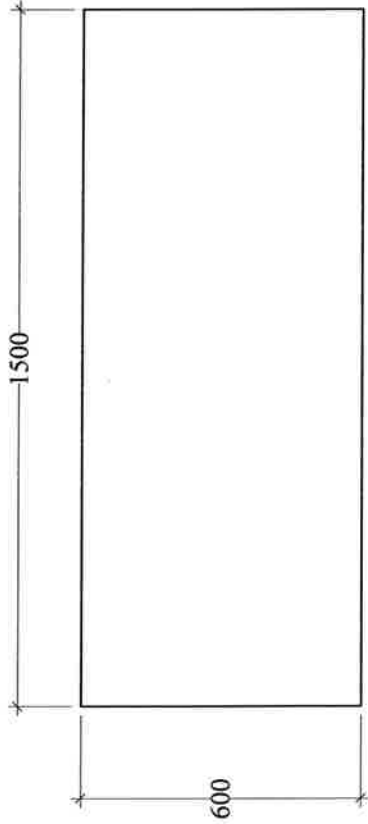
DRAWING NO.:	REV.:
Q/2013/LC/ITEM	A
FABRICATION NO.:	



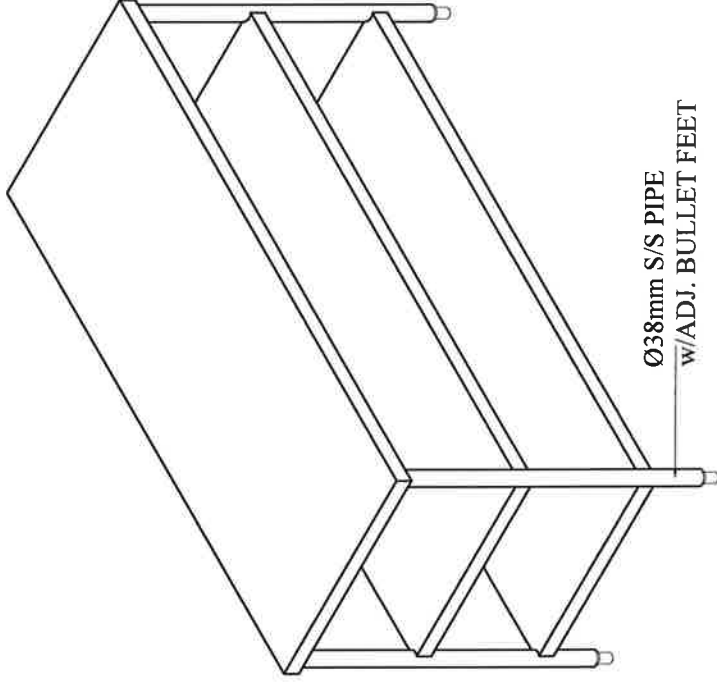
Singapore Kitchen Equipment Ltd
 wholly owned subsidiary of
 Singapore Kitchen Equipment Ltd
 Blk 115A Commonwealth Drive
 #01-27/28 Singapore 149596
 Tel: 6472 7337 Fax: 6472 6497
 Website : www.qson.com.sg

ALL DIMENSIONS SUBJECT TO VERIFICATION ON SITE BEFORE WORK COMMENCEMENT.

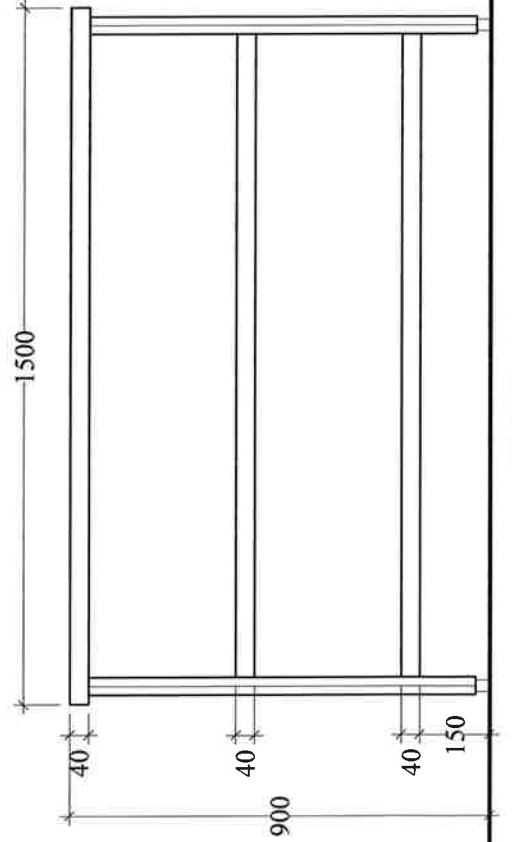
- Top : 1.5mm THK
- Intermediate : 1.2mm THK
- Undersheif : 1.2mm THK
- Body : 0.9mm THK



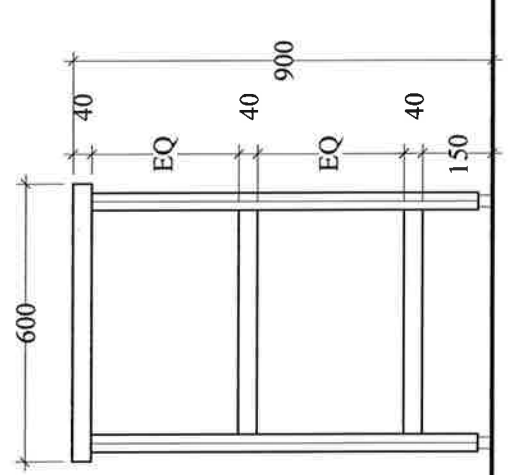
TOP VIEW



ISO VIEW



FRONT VIEW



SIDE VIEW

Quality Policy :
Customer satisfaction...every time !

Quality Objective:
Consistency, Efficiency,
Reliability
Make it RIGHT first time.

PROJECT:
LE CUISINE

TITLE:
**S/S WORK TABLE
W/2 UNDER SHELVES**

DRAWN BY: MARY
SCALE: N.T.S.
DATE: 23/12/2013

ITEM NO: KT33
QTY: 01

PROJECT CHECKED: SALES CHECKED: ROYSTON

CLIENT ACKNOWLEDGEMENT:

DRAWING NO: Q/2013/LC/ITEM
REV: A

FABRICATION NO:

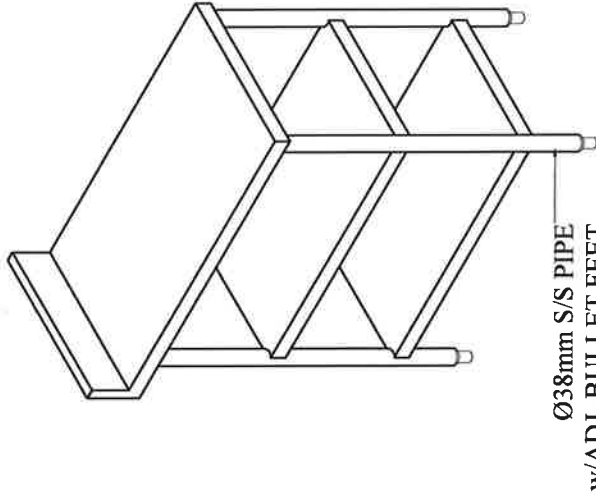


wholly owned subsidiary of
Singapore Kitchen Equipment Ltd

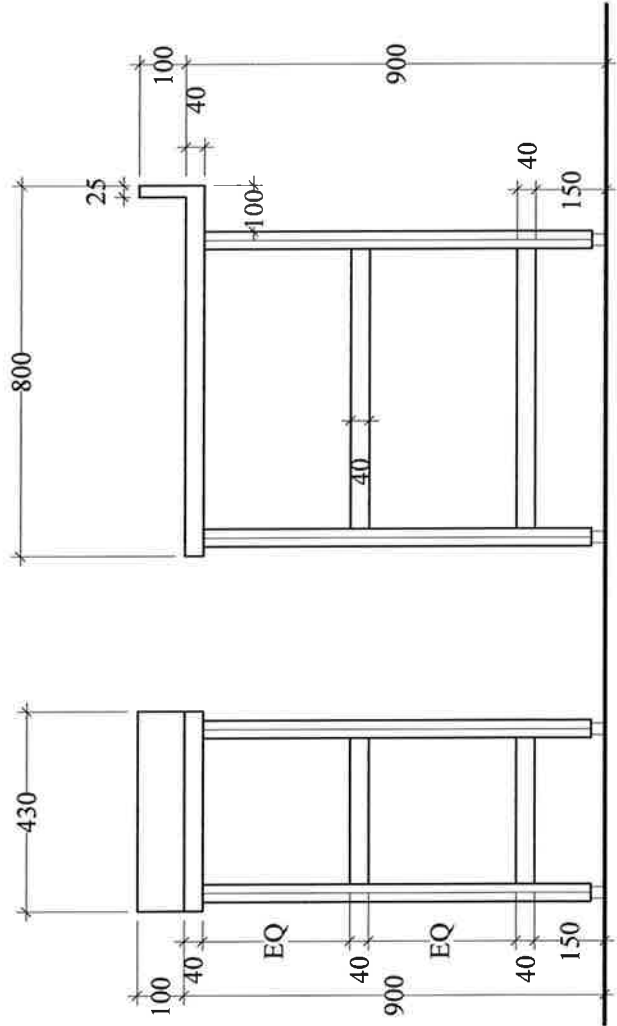
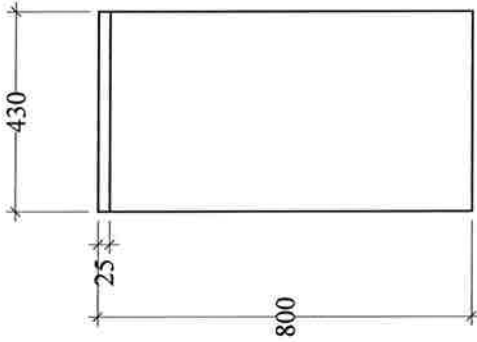
Singapore Kitchen Equipment Ltd
Blk 115A Commonwealth Drive
#01-27/28 Singapore 149596
Tel: 6472 7337 Fax: 6472 6497
Website : www.qson.com.sg

ALL DIMENSIONS SUBJECT TO VERIFICATION ON SITE BEFORE WORK COMMENCEMENT.

- Top : 1.5mm THK
- Intermediate : 1.2mm THK
- Undershelf : 1.2mm THK
- Body : 0.9mm THK



Ø38mm S/S PIPE
w/ADJ. BULLET FEET



Quality Policy:
Customer satisfaction...every time !

Quality Objective:
Consistency, Efficiency,
Reliability
Make it RIGHT first time.

PROJECT:
LE CUISINE

TITLE:
**S/S SPREADER TABLE
W/2 UNDER SHELVES**

DRAWN BY:	SCALE:	DATE:
MARY	N. T. S.	23/12/2013
DELIVERY DATE:		

ITEM NO:	QTY:
KT36	01
PROJECT CHECKED:	SALES CHECKED:
-	ROYSTON

CLIENT ACKNOWLEDGEMENT:

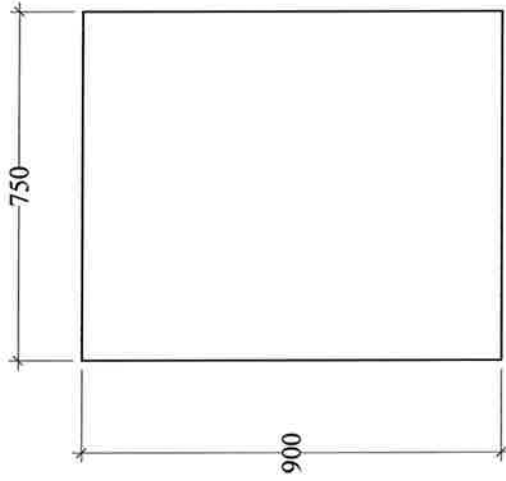
DRAWING NO:	REV:
Q/2013/LC/ITEM	A
FABRICATION NO:	
-	



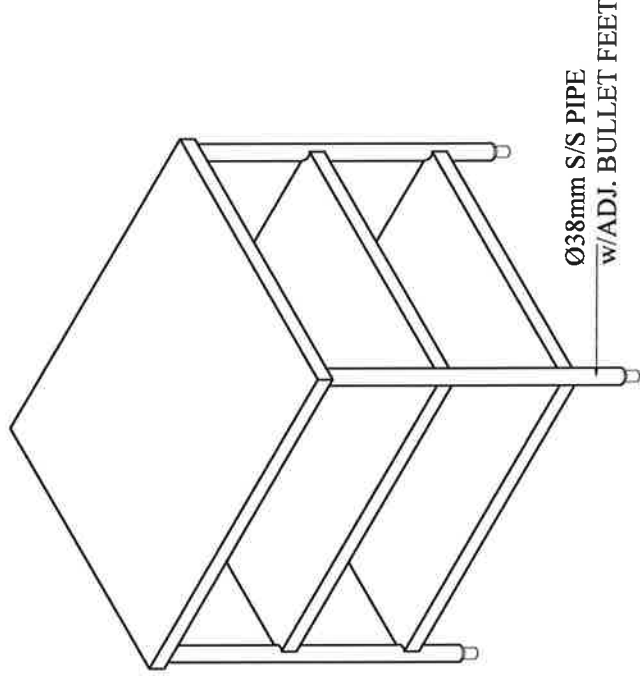
Singapore Kitchen Equipment Ltd
Blk 115A Commonwealth Drive
#01-27/28 Singapore 149596
Tel: 6472 7337 Fax: 6472 6497
Website : www.qson.com.sg

ALL DIMENSIONS SUBJECT TO VERIFICATION ON SITE BEFORE WORK COMMENCEMENT.

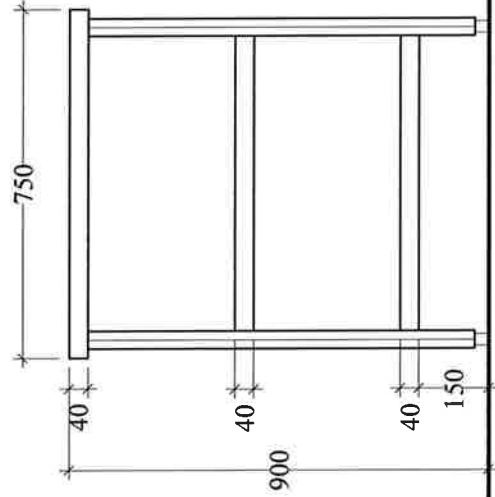
- Top : 1.5mm THK
- Intermediate : 1.2mm THK
- Undersheif : 1.2mm THK
- Body : 0.9mm THK



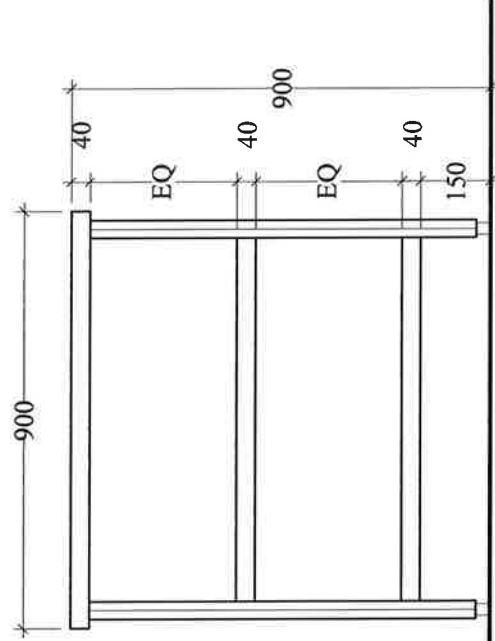
TOP VIEW



ISO VIEW



FRONT VIEW



SIDE VIEW

Quality Policy :
Customer satisfaction...every time !

Quality Objective:
Consistency, Efficiency,
Reliability
Make it RIGHT first time.

PROJECT:
LE CUISINE

TITLE:
**S/S WORK TABLE
W/2 UNDER SHELVES**

DRAWN BY:	SCALE:	DATE:
MARY	N. T. S.	23/12/2013
DELIVERY DATE:		

ITEM NO:	QTY:
KT37	01
PROJECT CHECKED:	SALES CHECKED:
	ROYSTON

CLIENT ACKNOWLEDGEMENT :

DRAWING NO:	REV:
Q/2013/LC/ITEM	A

FABRICATION NO :

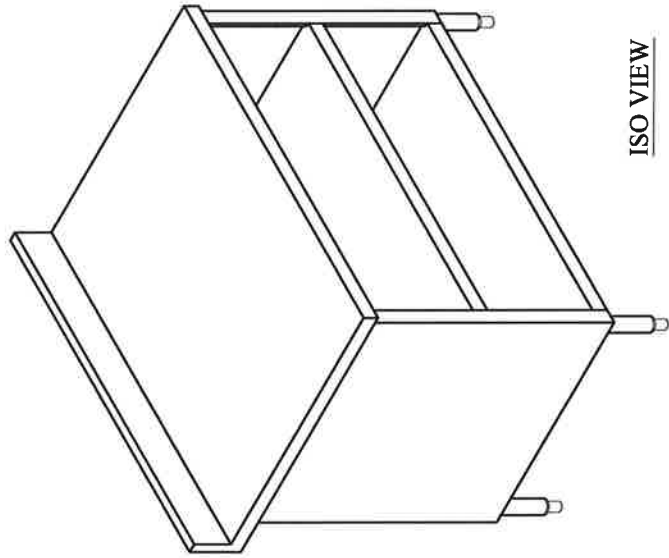


wholly owned subsidiary of
Singapore Kitchen Equipment Ltd

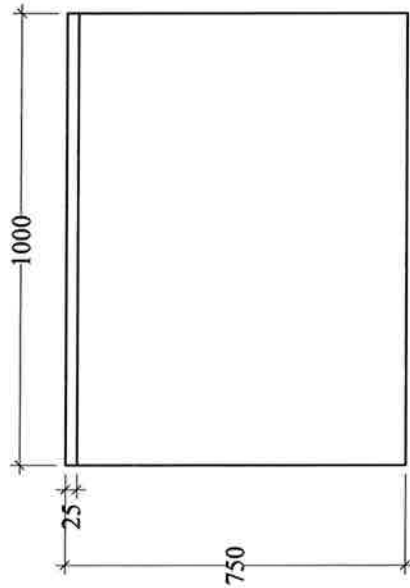
Singapore Kitchen Equipment Ltd
Blk 115A Commonwealth Drive
#01-27/28 Singapore 149596
Tel: 6472 7337 Fax: 6472 6497
Website : www.qson.com.sg

ALL DIMENSIONS SUBJECT TO VERIFICATION ON SITE BEFORE WORK COMMENCEMENT.

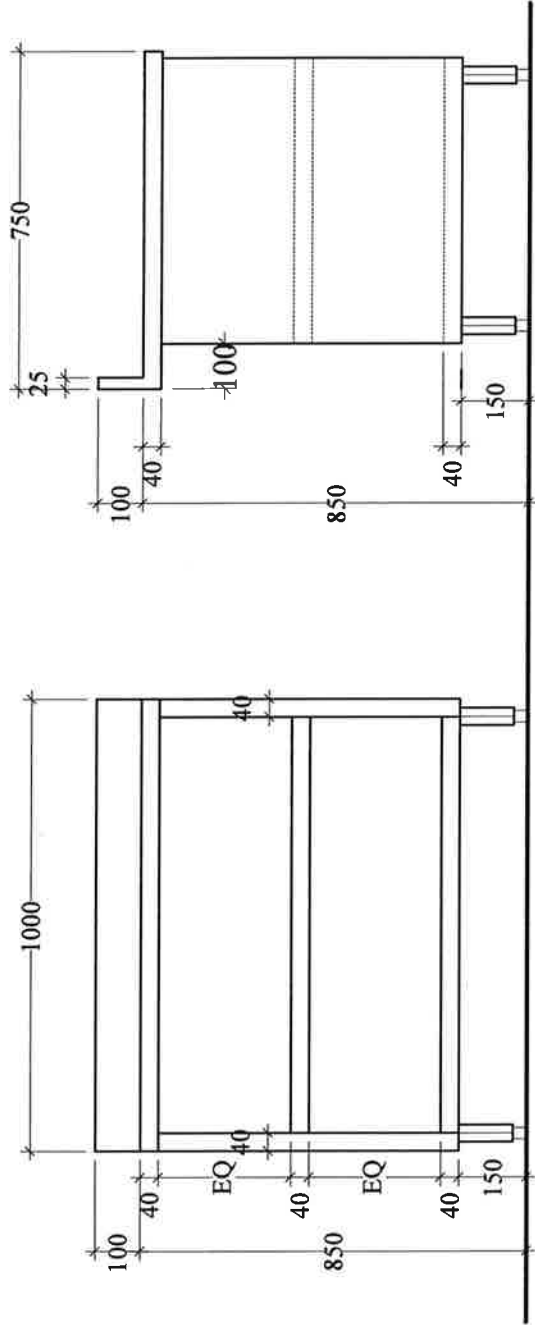
- Top : 1.5mm THK
- Intermediate : 1.2mm THK
- Undershelf : 1.2mm THK
- Body : 0.9mm THK



ISO VIEW



TOP VIEW



FRONT VIEW

SIDE VIEW

Quality Policy :

Customer satisfaction...every time !

Quality Objective:

*Consistency, Efficiency, Reliability
Make it RIGHT first time.*

PROJECT:

LE CUISINE

TITLE:

**S/S OPEN WORK COUNTER
W/2 UNDER SHELVES**

DRAWN BY:

MARY

SCALE:

N. T. S.

DATE:

23/12/2013

DELIVERY DATE:

-

ITEM NO.:

-

QTY:

01

PROJECT CHECKED:

BA03

SALES CHECKED:

ROYSTON

CLIENT ACKNOWLEDGEMENT:

-

DRAWING NO.:

Q/2013/LC/ITEM

REV.:

A

FABRICATION NO.:

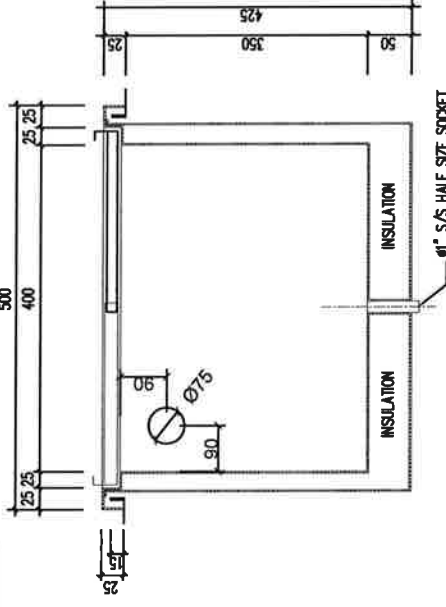
-



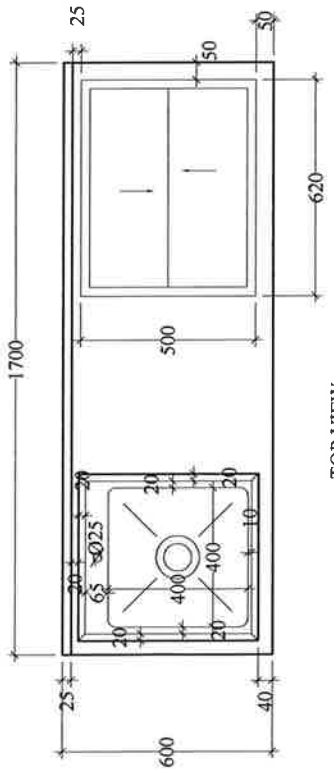
Singapore Kitchen Equipment Ltd
 Blk 115A Commonwealth Drive
 #01-27/28 Singapore 149596
 Tel: 6472 7337 Fax: 6472 6497
 Website : www.qson.com.sg

ALL DIMENSIONS SUBJECT TO VERIFICATION ON SITE BEFORE WORK COMMENCEMENT.

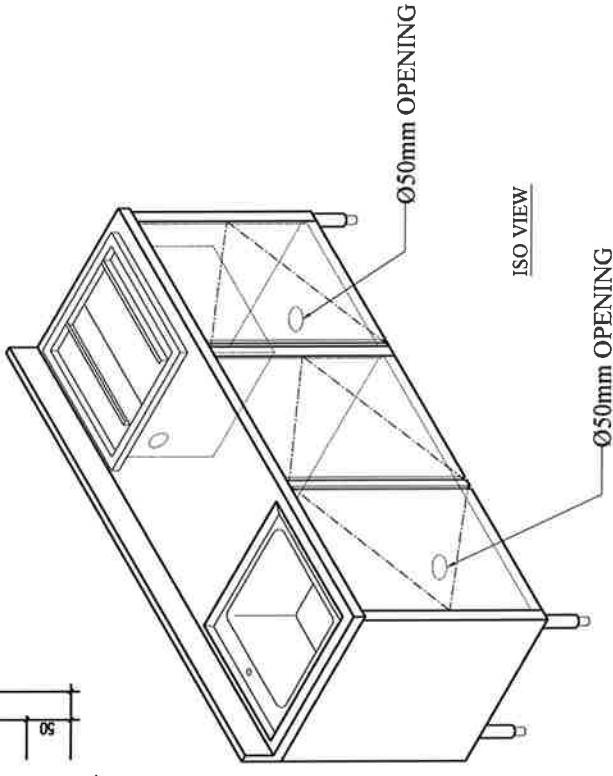
- Top : 1.5mm THK
- Intermediate : 1.2mm THK
- Undershelf : 1.2mm THK
- Body : 0.9mm THK



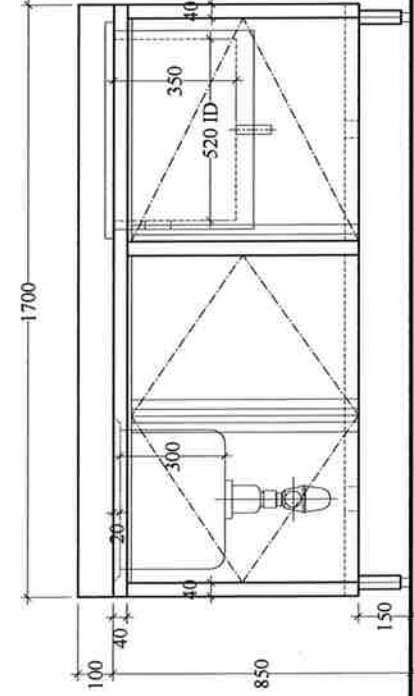
ICE BIN DETAIL



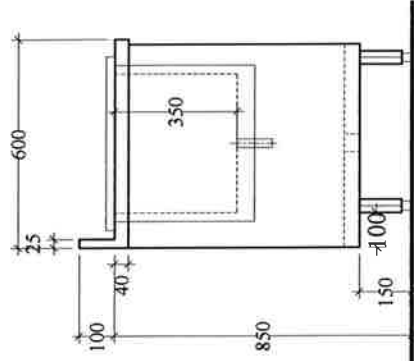
TOP VIEW



ISO VIEW



FRONT VIEW



SIDE VIEW

Quality Policy :
Customer satisfaction....every time !

Quality Objective:
Consistency, Efficiency, Reliability
Make it RIGHT first time.

PROJECT:
LE CUISINE

TITLE:
S/S COCKTAIL COUNTER
W/ICE BIN & SINK BOWL

DRAWN BY: MARY
SCALE: N.T.S.
DATE: 23/12/2013

DELIVERY DATE:

ITEM NO: BA04
QTY: 01

PROJECT CHECKED: SALES CHECKED:
ROYSTON

CLIENT ACKNOWLEDGEMENT:

DRAWING NO: Q/2013/LC/ITEM
REV: A

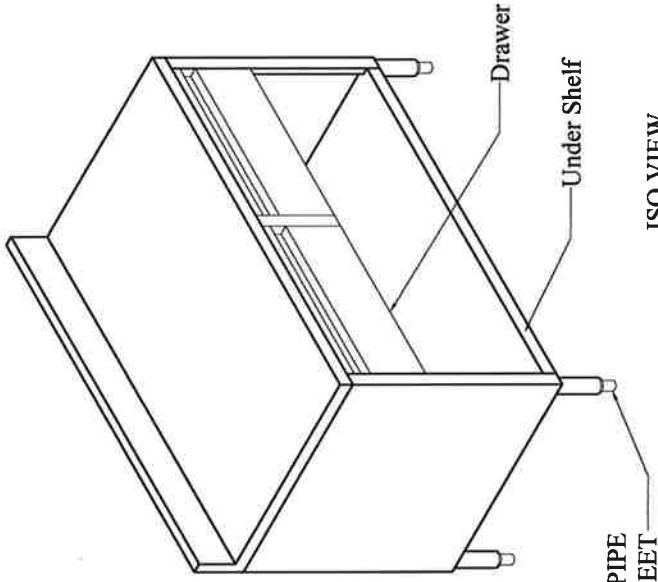
FABRICATION NO:

wholly owned subsidiary of
 Singapore Kitchen Equipment Ltd

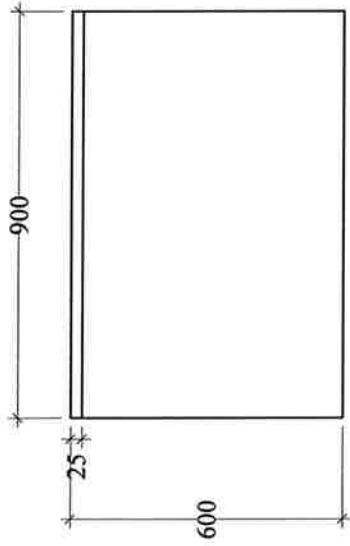
Singapore Kitchen Equipment Ltd
 Blk 115A Commonwealth Drive
 #01-27/28 Singapore 149596
 Tel: 6472 7337 Fax: 6472 6497
 Website : www.qson.com.sg

ALL DIMENSIONS SUBJECT TO VERIFICATION ON SITE BEFORE WORK COMMENCEMENT.

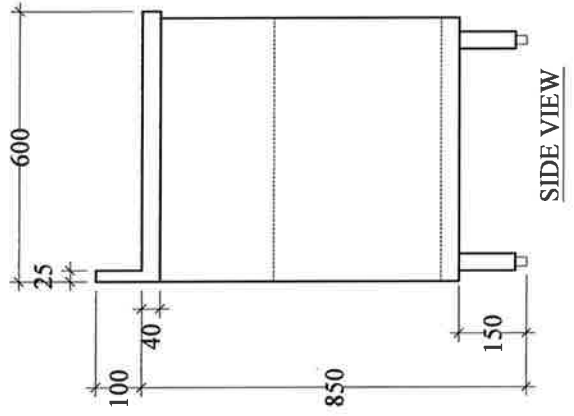
- Top : 1.5mm THK
- Intermediate : 1.2mm THK
- Undershelf : 1.2mm THK
- Body : 0.9mm THK



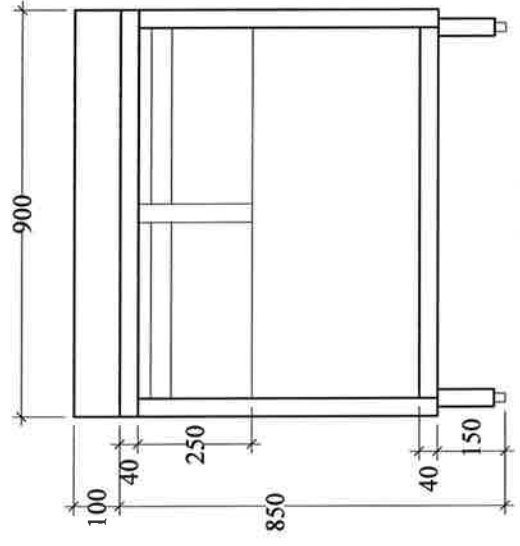
ISO VIEW



TOP VIEW



SIDE VIEW



FRONT VIEW

Quality Policy :

Customer satisfaction...every time !

Quality Objective:

*Consistency, Efficiency, Reliability
Make it RIGHT first time.*

PROJECT:

LE CUISINE

TITLE:

**S/S CASHIER COUNTER
W/ 2 DRAWERS**

DRAWN BY:

MARY

SCALE:

N. T. S.

DATE:

23/12/2013

DELIVERY DATE:

-

ITEM NO:

BA05

QTY:

01

PROJECT CHECKED:

SALES CHECKED:

ROYSTON

CLIENT ACKNOWLEDGEMENT:

-

DRAWING NO:

Q/2013/LC/ITEM

REV:

A

FABRICATION NO:

-

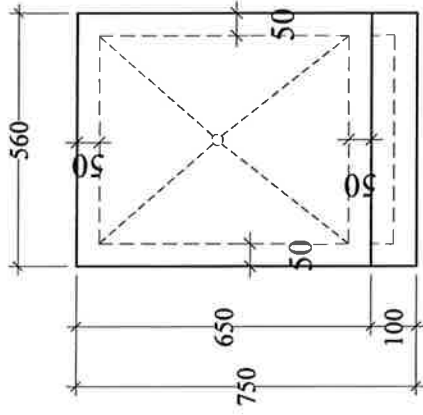


wholly owned subsidiary of
Singapore Kitchen Equipment Ltd

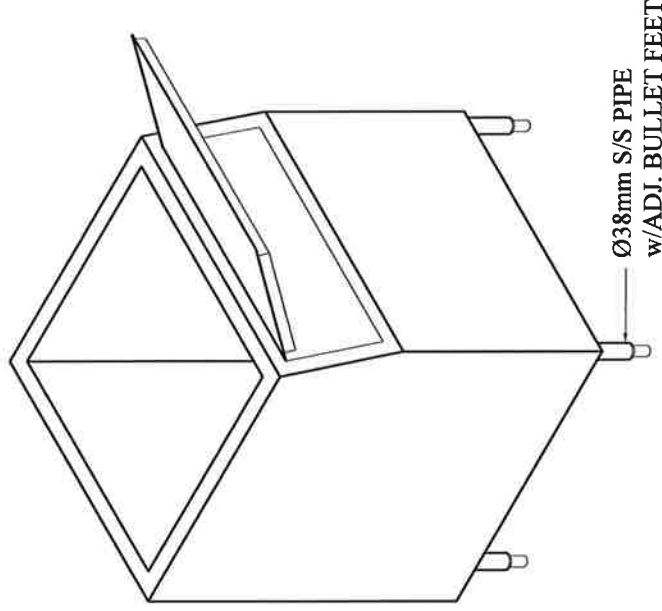
Singapore Kitchen Equipment Ltd
Blk 115A Commonwealth Drive
#01-27/28 Singapore 149596
Tel: 6472 7337 Fax: 6472 6497
Website : www.qson.com.sg

ALL DIMENSIONS SUBJECT TO VERIFICATION ON SITE BEFORE WORK COMMENCEMENT.

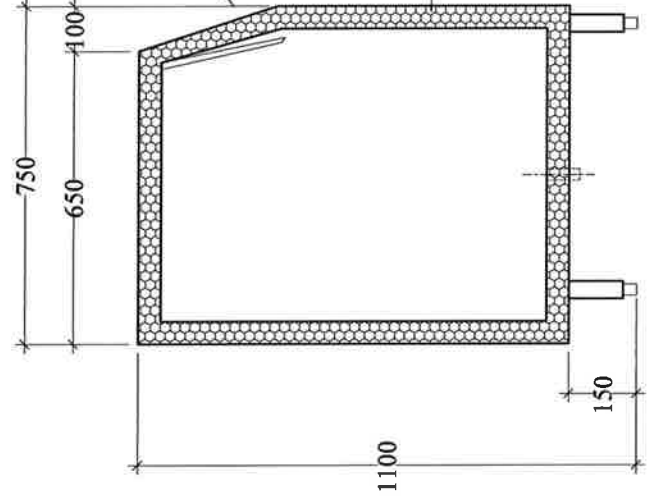
- Top : 1.5mm THK
- Intermediate : 1.2mm THK
- Undershelf : 1.2mm THK
- Body : 0.9mm THK



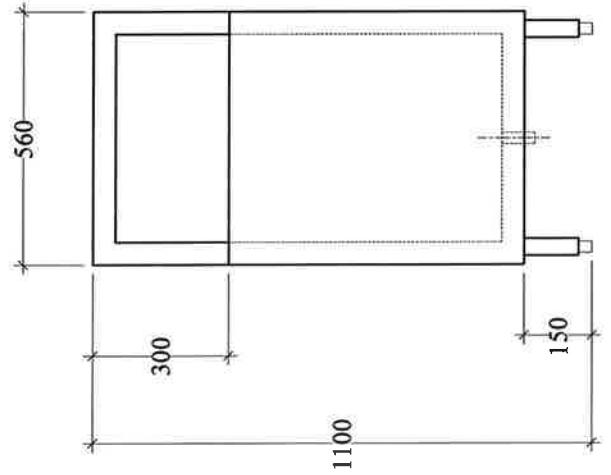
TOP VIEW



ISO VIEW



SIDE VIEW



FRONT VIEW

Quality Policy :

Customer satisfaction...every time !

Quality Objective:

*Consistency, Efficiency, Reliability
Make it RIGHT first time.*

PROJECT:

LE CUISINE

TITLE:

S/S ICE BIN

DRAWN BY:

MARY

SCALE:

N.T.S.

DATE:

23/12/2013

DELIVERY DATE:

ITEM NO:

BA08

QTY:

01

PROJECT CHECKED:

ROYSTON

SALES CHECKED:

ROYSTON

CLIENT ACKNOWLEDGEMENT:

DRAWING NO:

Q/2013/LC/ITEM

REV:

A

FABRICATION NO:



wholly owned subsidiary of
Singapore Kitchen Equipment Ltd

Singapore Kitchen Equipment Ltd
Blk 115A Commonwealth Drive
#01-27/28 Singapore 149596
Tel: 6472 7337 Fax: 6472 6497
Website : www.qson.com.sg